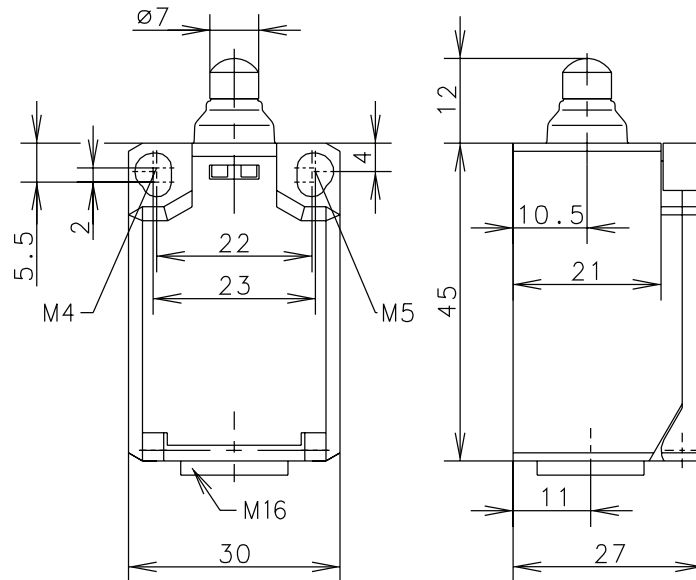


Ti2 Series



Recommended use

Ideal for safety applications and position monitoring in confined spaces with an IP65 protection rating.

Product advantages

- Compact IP65 switch for safety applications
- Optimized size with a tried-and-tested connection system
- Two-channel safety monitoring possible
- With captive snap-on cover
- 2 mm contact opening width of slow-action system conforming to EN 81-1 for lift construction
- Small hysteresis in snap action system
- Actuator can be repositioned by 4 x 90°

Options

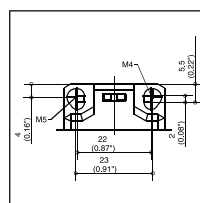
- Available with M12 connector
- AS interface variants available
- Preassembled with customer-specific cables and connectors on request

Design layout

- Slow-action and snap-action contacts
- Versions: 1 NC/1NO, 2 NC, 2 NO
- All NC contacts with \ominus in the circuit diagram are positively opening contacts
- Type: Zb (galvanically isolated change-over contact)

Mounting

- Mounting dimensions conforming to DIN EN 50047
- 2 slots for adjustment with M4 screws (distance between centers 22 mm)



- Fixed positioning for safety applications with two M5 screws (distance between centers 23 mm)

Installation advantages

- Snap-on cover can be released with screwdriver
- Cover protects switching element during installation
- Screw connections with clamping plates
- Transparent cover for adjustment and visual inspection
- Easy to install cover lock (close and press)

Technical data

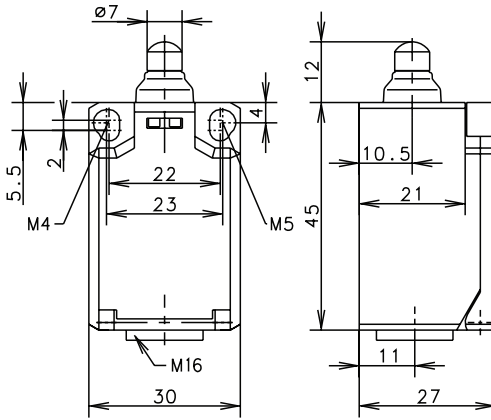
Electrical data		
Rated insulation voltage	U_i max.	240 V AC
Conventional thermal current	I_{the}	10 A
Rated operating voltage	U_e max.	240 V
Utilization category	U_e/I_e	AC-15, U_e/I_e 240 V/3 A; DC-13, U_e/I_e 240 V/0,27 A
Short-circuit protection		Fuse 6 A gL/gG
Protection class		II, Insulated
Mechanical data		
Enclosure material		Thermoplastic, glass fibre-reinforced (UL 94-V0)
Ambient temperature		-30 °C to +80 °C
Mechanical service life		3 x 10 ⁶ switching cycles
B10d		6 Mio.
Switching frequency		≤ 100/min.
Type of connection		Screw connections
Conductor cross sections		Single-wire 0.5 - 1.5 mm ² or Stranded wire with ferrule 0.5 - 1.5 mm ²
Cable entry		1 x M16 x 1,5
Protection class		IP65 conforming to EN 60529; DIN VDE 0470 T1
Standards		
VDE 0660 T100, DIN EN 60947-1, IEC 60947-1VDE 0660 T200, DIN EN 60947-5-1, IEC 60947-5-1		

Drawing dimensions in mm

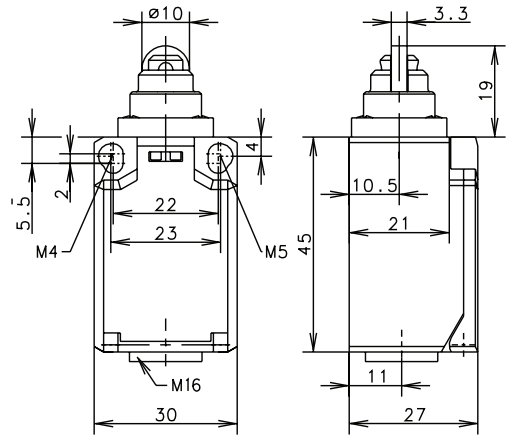
Ti2 Series



W (Form B)



RIW (Form C)



Switching Operation	Slow Action	Snap Action	Slow Action	Snap Action
1 NC / 1 NO Contacts	608.8103.001 TI2-U1Z W 	608.8153.002 TI2-SU1Z W 	608.8117.007 TI2-U1Z RIW 	608.8167.008 TI2-SU1Z RIW
2 NC Contacts	608.8803.003 TI2-A2Z W 	608.8853.004 TI2-SA2Z W 	608.8817.009 TI2-A2Z RIW 	608.8867.010 TI2-SA2Z RIW
2 NO Contacts	608.8803.005 TI2-E2 W 			608.8867.012 TI2-SE2 RIW
1 NC / 1 NO Contacts Overlapping	-	-	-	-

Technical Information

	Slow Action	Snap Action	Slow Action	Snap Action
Maximum Switching Voltage	240V	240V	240V	240V
Maximum Switching Amperage	10A	10A	10A	10A
B10d	6 Million	6 Million	6 Million	6 Million
Mechanical Service Life	3 x 10 ⁶	3 x 10 ⁶	3 x 10 ⁶	3 x 10 ⁶
Switching Frequency	≤ 100/min	≤ 100/min	≤ 100/min	≤ 100/min
Operating Temperature	-30 °C to +80 °C	-30 °C to +80 °C	-30 °C to +80 °C	-30 °C to +80 °C
Protection Rating	IP65	IP65	IP65	IP65
Utilization Category	AC-15, Ue/Ue 240V 3A	AC-15, Ue/Ue 240V 3A	AC-15, Ue/Ue 240V 3A	AC-15, Ue/Ue 240V 3A
Rate Insulation Voltage	240VAC	240VAC	240VAC	240VAC

Approvals



Special features / variants

- Available with greater switching force

Special features / variants

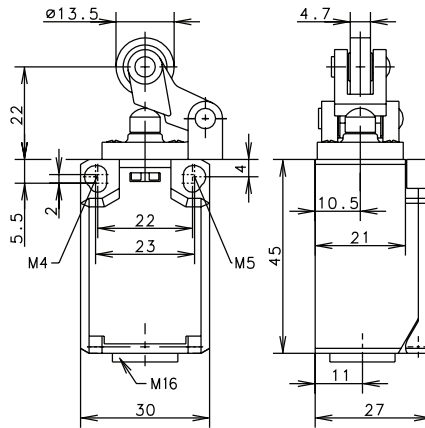
- Available with greater switching force
- Available different actuator direction
- Activation direction can not be rotated by user

Drawing dimensions in mm

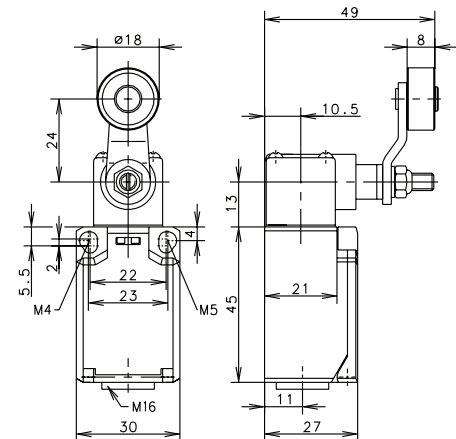
Ti2 Series



HW (Form E)



AH (Form A)



Switching Operation	HW (Form E)		AH (Form A)	
	Slow Action	Snap Action	Slow Action	Snap Action
1 NC / 1 NO Contacts	608.8121.015 TI2-U1Z HW 	608.8171.016 TI2-SU1Z HW 	608.8135.021 TI2-U1Z AH 	608.8185.022 TI2-SU1Z AH
2 NC Contacts	608.8821.017 TI2-A2Z HW 	608.8871.018 TI2-SA2Z HW 	608.8835.023 TI2-A2Z AH 	608.8885.024 TI2-SA2Z AH
2 NO Contacts	-	608.8871.020 TI2-SE2 HW 	-	-
1 NC / 1 NO Contacts Overlapping	-	-	-	-
Replacement actuator:	391.8191.547		391.8351.166	

Technical Information	HW (Form E)		AH (Form A)	
	Slow Action	Snap Action	Slow Action	Snap Action
Maximum Switching Voltage	240V	240V	240V	240V
Maximum Switching Amperage	10A	10A	10A	10A
B10d	6 Million	6 Million	6 Million	6 Million
Mechanical Service Life	3 x 10 ⁶	3 x 10 ⁶	3 x 10 ⁶	3 x 10 ⁶
Switching Frequency	≤ 100/min	≤ 100/min	≤ 100/min	≤ 100/min
Operating Temperature	-30 °C to +80 °C	-30 °C to +80 °C	-30 °C to +80 °C	-30 °C to +80 °C
Protection Rating	IP65	IP65	IP65	IP65
Utilization Category	AC-15, Ue/Ue 240V 3A	AC-15, Ue/Ue 240V 3A	AC-15, Ue/Ue 240V 3A	AC-15, Ue/Ue 240V 3A
Rate Insulation Voltage	240VAC	240VAC	240VAC	240VAC
Approvals				

Special features/variants
(on request)

- Available with different actuating directions
- With steel roller
- Various roller diameters

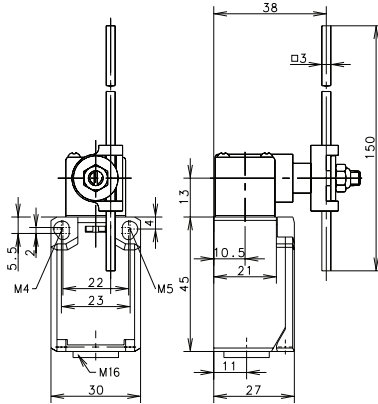
Special features/variants
(on request)

- Available with different actuating directions
- With steel roller
- Various roller diameters
- Offset or straight lever
- Various lever lengths
- With roller over switch

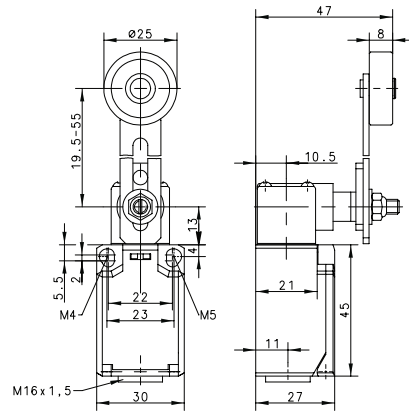
Drawing dimensions in mm

Ti2 Series

AD



AV



Switching Operation	Slow Action	Snap Action	Slow Action	Snap Action
1 NC / 1 NO Contacts	608.8137.027 TI2-U1 AD 	608.8187.028 TI2-SU1 AD 	608.8136.033 TI2-U1 AV 	608.8186.034 TI2-SU1 AV
2 NC Contacts	608.8837.029 TI2-A2 AD 	608.8887.030 TI2-SA2 AD 	-	608.8886.036 TI2-SA2 AV
2 NO Contacts	-	608.8887.032 TI2-SE2 AD 	608.8836.037 TI2-E2 AV 	608.8886.038 TI2-SE2 AV
1 NC / 1 NO Contacts Overlapping	-	-	-	-

Replacement actuator: **391.8370.986** **391.8360.984**

Technical Information	Slow Action	Snap Action	Slow Action	Snap Action
	Maximum Switching Voltage	240V	240V	240V
Maximum Switching Amperage	10A	10A	10A	10A
B10d	6 Million	6 Million	6 Million	6 Million
Mechanical Service Life	3 x 10 ⁶	3 x 10 ⁶	3 x 10 ⁶	3 x 10 ⁶
Switching Frequency	≤ 100/min	≤ 100/min	≤ 100/min	≤ 100/min
Operating Temperature	-30 °C to +80 °C	-30 °C to +80 °C	-30 °C to +80 °C	-30 °C to +80 °C
Protection Rating	IP65	IP65	IP65	IP65
Utilization Category	AC-15, Ue/Ue 240V 3A	AC-15, Ue/Ue 240V 3A	AC-15, Ue/Ue 240V 3A	AC-15, Ue/Ue 240V 3A
Rate Insulation Voltage	240VAC	240VAC	240VAC	240VAC



Special features/variants

(on request)

- Available with different actuator directions
- With various actuator lengths
- Available with increased switch force

Special features/variants

(on request)

- Available with different actuator directions
- Various roller diameters & lever lengths
- With roller over switch

Drawing dimensions in mm