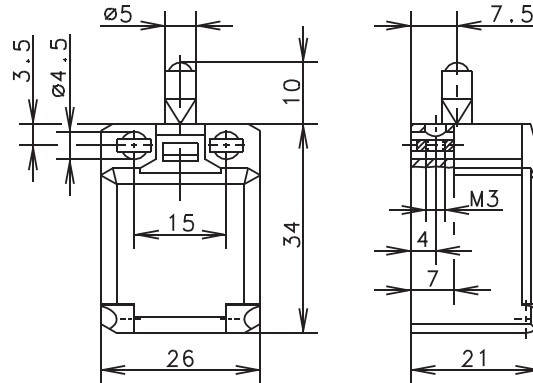


## C2 Series



### Recommended use

Ideal for safety applications and position monitoring in confined spaces.

### Product advantages

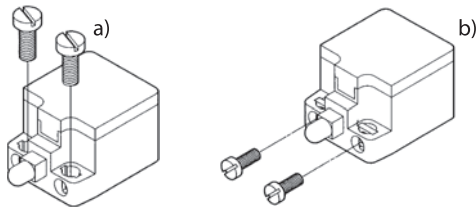
- Miniature switch for safety applications
- Two-channel safety monitoring possible
- With captive snap-on cover
- Small hysteresis in snap action system

### Design layout

- Slow-action and snap-action contacts
- Versions: 1 NC / 1NO, 2 NC, 2 NO
- All NC contacts with  $\ominus$  in the circuit diagram are positively opening contacts
- Type: Zb (galvanically isolated changeover contact)

### Mounting

- Also suitable for front mounting (depending on type)



- a) 2 round holes for M4 screws
- b) 2 Integrated nuts for front mounting for M3 screws (depending on type)

### Installation advantages

- Snap-on cover can be released with screwdriver
- Cover opening range 180° (cover can also be detached from hinge)
- Cover protects switching element during installation
- Screw connections with clamping plates
- Transparent cover for adjustment and visual inspection
- Easy to install cover lock (close and press)

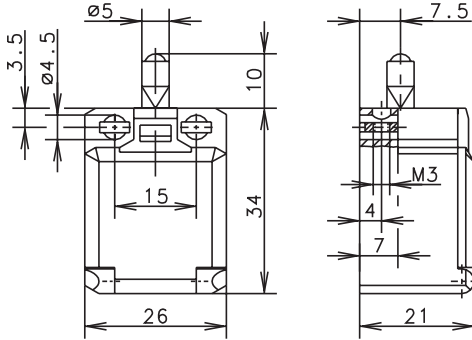
### Technical data

Electrical data		
Rated insulation voltage	$U_i$ max.	240 V AC
Conventional thermal current	$I_{the}$	10 A
Rated operating voltage	$U_e$ max.	240 V
Utilization category	$U_e/I_e$	AC-15, $U_e/I_e$ 240 V/3 A
Short-circuit protection		Fuse 6 A gL/gG
Protection class		II, Insulated
Mechanical data		
Enclosure material		Thermoplastic, glass fiber-reinforced (UL 94-V0)
Ambient temperature		-30 °C to +80 °C
Mechanical service life		$3 \times 10^6$ switching cycles
B10d		6 Mio.
Switching frequency		$\leq 100$ /min
Type of connection		Screw connections
Conductor cross sections		Single-wire 0.5 – 1.5 mm <sup>2</sup> or Stranded wire with ferrule 0.5 – 1.5 mm <sup>2</sup>
Cable entry		Rectangle 8.5 x 3.5 mm
Protection class		IP20 conforming to EN 60529; DIN VDE 0470 T1
Standards		
VDE 0660 T100, DIN EN 60947-1, IEC 60947-1		
VDE 0660 T200, DIN EN 60947-5-1, IEC 60947-5-1		

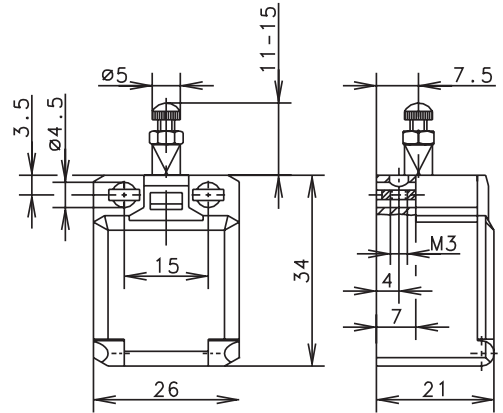
**C2 Series**



**W**



**ST**



Switching Operation	Slow Action	Snap Action	Slow Action	Snap Action
<b>1 NC / 1 NO Contacts</b>	<b>600.8101.001</b> C2-U1Z 	<b>600.8351.002</b> C2-SU1Z 	<b>600.8104.025</b> C2-U1Z ST 	<b>600.8354.026</b> C2-SU1Z ST 
<b>2 NC Contacts</b>	<b>600.8801.003</b> C2-A2Z 	<b>600.8851.004</b> C2-SA2Z 	<b>600.8804.027</b> C2-A2Z ST 	-
<b>2 NO Contacts</b>	<b>600.8801.005</b> C2-E2 	<b>600.8851.006</b> C2-SE2 	<b>600.8804.029</b> C2-E2 ST 	<b>600.8854.030</b> C2-SE2 ST 
<b>1 NC / 1 NO Contacts Overlapping</b>	-	-	-	-

**Technical Information**

	Slow Action	Snap Action	Slow Action	Snap Action
Maximum Switching Voltage	240V	240V	240V	240V
Maximum Switching Amperage	10A	10A	10A	10A
B10d	6 Million	6 Million	6 Million	6 Million
Mechanical Service Life	3 x 10 <sup>6</sup>	3 x 10 <sup>6</sup>	3 x 10 <sup>6</sup>	3 x 10 <sup>6</sup>
Switching Frequency	≤ 100/min	≤ 100/min	≤ 100/min	≤ 100/min
Operating Temperature	-30 °C to +80 °C	-30 °C to +80 °C	-30 °C to +80 °C	-30 °C to +80 °C
Protection Rating	IP20	IP20	IP20	IP20
Utilization Category	AC-15, Ue/Ue 240V 3A	AC-15, Ue/Ue 240V 3A	AC-15, Ue/Ue 240V 3A	AC-15, Ue/Ue 240V 3A
Rate Insulation Voltage	240VAC	240VAC	240VAC	240VAC
Approvals				

**Special features / variants**

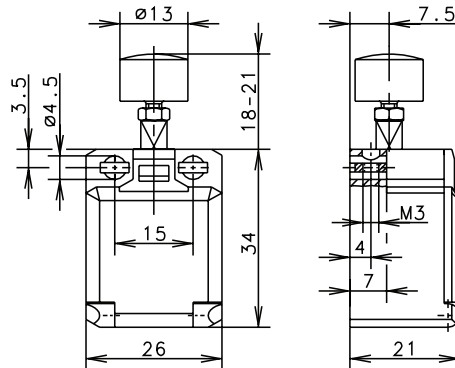
- Actuator length adjustable with threaded screw

*Drawing dimensions in mm*

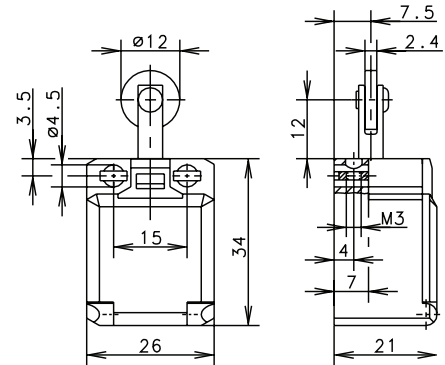
**C2 Series**



**K**



**R**



Switching Operation	Slow Action	Snap Action	Slow Action	Snap Action
<b>1 NC / 1 NO Contacts</b>	<b>600.8107.019</b> C2-U1Z K 	<b>600.8357.020</b> C2-SU1Z K 	<b>600.8116.013</b> C2-U1Z R 	<b>600.8366.014</b> C2-SU1Z R 
<b>2 NC Contacts</b>	<b>600.8807.021</b> C2-A2Z K 	<b>600.8857.022</b> C2-SA2Z K 	<b>600.8816.015</b> C2-SU1Z R 	<b>600.8866.016</b> C2-SA2Z R 
<b>2 NO Contacts</b>	-	-	<b>600.8816.017</b> C2-E2 R 	-
<b>1 NC / 1 NO Contacts Overlapping</b>	-	-	-	-

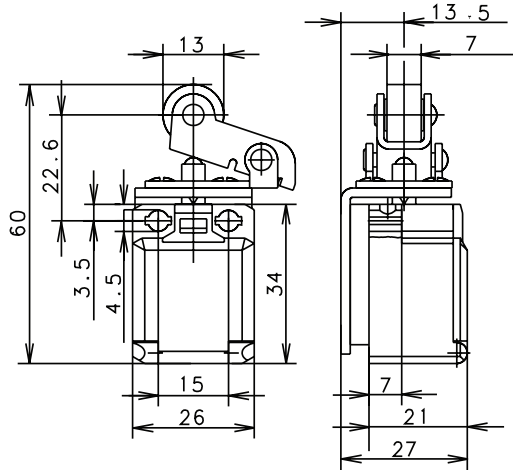
**Technical Information**

	Slow Action	Snap Action	Slow Action	Snap Action
Maximum Switching Voltage	240V	240V	240V	240V
Maximum Switching Amperage	10A	10A	10A	10A
B10d	6 Million	6 Million	6 Million	6 Million
Mechanical Service Life	3 x 10 <sup>6</sup>	3 x 10 <sup>6</sup>	3 x 10 <sup>6</sup>	3 x 10 <sup>6</sup>
Switching Frequency	≤ 100/min	≤ 100/min	≤ 100/min	≤ 100/min
Operating Temperature	-30 °C to +80 °C	-30 °C to +80 °C	-30 °C to +80 °C	-30 °C to +80 °C
Protection Rating	IP20	IP20	IP20	IP20
Utilization Category	AC-15, Ue/Ue 240V 3A	AC-15, Ue/Ue 240V 3A	AC-15, Ue/Ue 240V 3A	AC-15, Ue/Ue 240V 3A
Rate Insulation Voltage	240VAC	240VAC	240VAC	240VAC
Approvals				

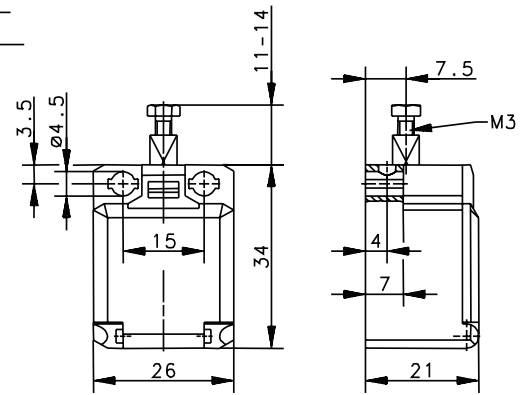
**C2 Series**



**O.M.**



**Latching O.M.**



Switching Operation	Slow Action	Snap Action	Slow Action	Snap Action
<b>1 NC / 1 NO Contacts</b>	<b>600.8101.007+</b> 391.0190.259 C2-U1Z 	<b>6008351008+</b> 391.0190.259 C2-SU1Z 	<b>610.8351.008</b> C2-SU1Z LATCHING O.M. 	
<b>2 NC Contacts</b>	-	-	-	-
<b>2 NO Contacts</b>	-	-	-	-
<b>1 NC / 1 NO Contacts Overlapping</b>	-	-	-	-

**Technical Information**

	Slow Action	Snap Action	Slow Action	Snap Action
Maximum Switching Voltage	240V	240V	240V	240V
Maximum Switching Amperage	10A	10A	10A	10A
B10d	6 Million	6 Million	6 Million	6 Million
Mechanical Service Life	3 x 10 <sup>6</sup>	3 x 10 <sup>6</sup>	3 x 10 <sup>6</sup>	3 x 10 <sup>6</sup>
Switching Frequency	≤ 100/min	≤ 100/min	≤ 100/min	≤ 100/min
Operating Temperature	-30 °C to +80 °C	-30 °C to +80 °C	-30 °C to +80 °C	-30 °C to +80 °C
Protection Rating	IP20	IP20	IP20	IP20
Utilization Category	AC-15, Ue/Ue 240V 3A	AC-15, Ue/Ue 240V 3A	AC-15, Ue/Ue 240V 3A	AC-15, Ue/Ue 240V 3A
Rate Insulation Voltage	240VAC	240VAC	240VAC	240VAC

Approvals



**Special features / variants**

- Actuator length adjustable with threaded screw

*Drawing dimensions in mm*