



Standard Features

- **Protection Level:** IP66 (NEMA Type: 4X and 12/12K)
- **Technical:** Smooth or Knockout Sidewalls
Gray or Tinted Transparent Cover
Multiple Enclosure Mounting Options
- **UL Recognized**
 - Enclosure Materials:** Polystyrene or Polycarbonate
 - Gasket Material:** Polyurethane
 - Color:** Light Gray
 - Material**
 - Temperature Range:** Polystyrene
-40°C to 70°C (-40°F to 158°F)
Polycarbonate
-40°C to 120°C (-40°F to 248°F)
- **Accessories:** See section below



Smooth Sidewalls

| | | | Polystyrene | | | Polycarbonate | | | |
|---------------------------|------------------|----------|----------------|-------------|----------|---------------|----------------|-------------|----------|
| Ordering Information | Height mm (in) | Cat. No. | Type | Cover Color | Std. Pk. | Cat. No. | Type | Cover Color | Std. Pk. |
| Enclosure - low cover | 63 mm (2.48 in) | 110-415 | PS 1813-6f-o | gray | 2 | 120-415 | PC 1813-6f-o | gray | 2 |
| Enclosure - high cover | 84 mm (3.31 in) | 110-915 | PS 1813-8f-o | gray | 2 | 120-915 | PC 1813-8f-o | gray | 2 |
| Enclosure - top hat cover | 137 mm (5.39 in) | 109-415 | PS 1813-13f-o | gray | 1 | 121-415 | PC 1813-13f-o | gray | 1 |
| Enclosure - low cover | 63 mm (2.48 in) | 111-015 | PS 1813-6f-to | trans. | 2 | 130-015 | PC 1813-6f-to | trans. | 2 |
| Enclosure - high cover | 84 mm (3.31 in) | 111-515 | PS 1813-8f-to | trans. | 2 | 130-515 | PC 1813-8f-to | trans. | 2 |
| Enclosure - top hat cover | 137 mm (5.39 in) | 112-015 | PS 1813-13f-to | trans. | 1 | 131-015 | PC 1813-13f-to | trans. | 1 |

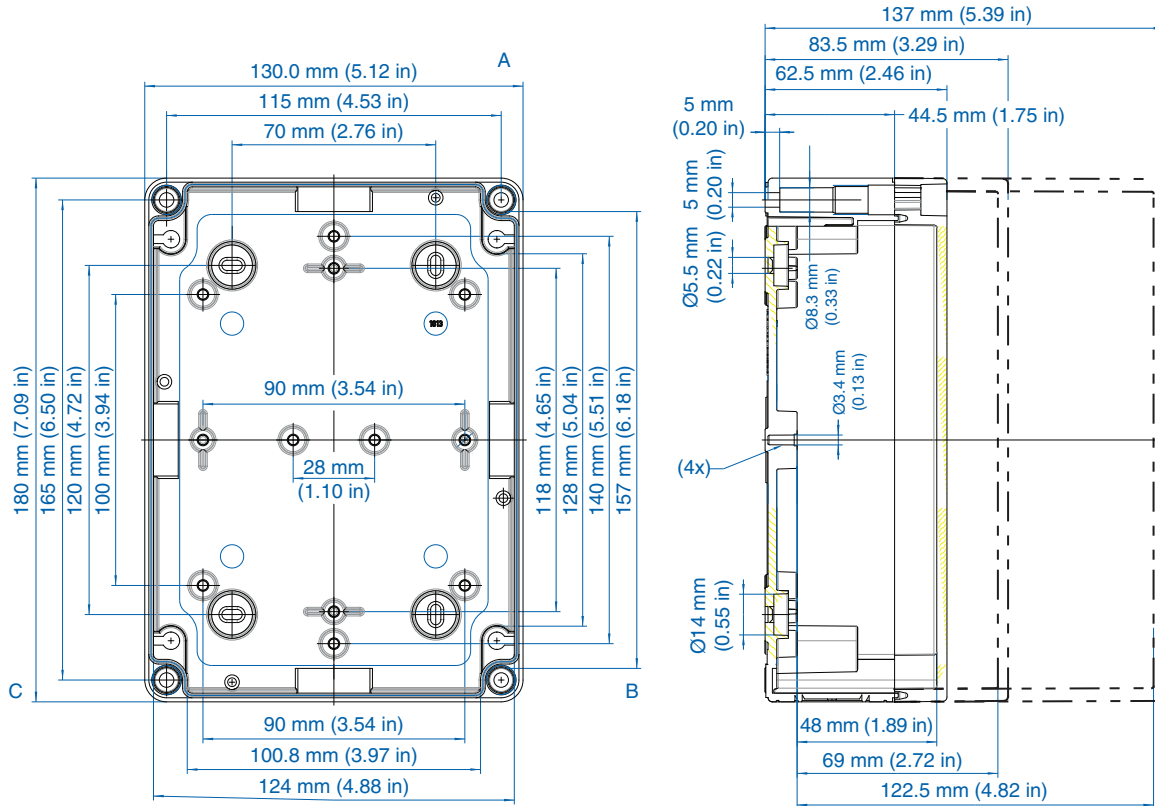
Sidewalls with Metric Knockouts

| | | | Polystyrene | | | Polycarbonate | | | |
|---------------------------|------------------|----------|----------------|-------------|----------|---------------|----------------|-------------|----------|
| Ordering Information | Height mm (in) | Cat. No. | Type | Cover Color | Std. Pk. | Cat. No. | Type | Cover Color | Std. Pk. |
| Enclosure - low cover | 63 mm (2.48 in) | 105-415 | PS 1813-6f-m | gray | 2 | 127-415 | PC 1813-6f-m | gray | 2 |
| Enclosure - high cover | 84 mm (3.31 in) | 105-915 | PS 1813-8f-m | gray | 2 | 127-915 | PC 1813-8f-m | gray | 2 |
| Enclosure - top hat cover | 137 mm (5.39 in) | 104-415 | PS 1813-13f-m | gray | 1 | 128-415 | PC 1813-13f-m | gray | 1 |
| Enclosure - low cover | 63 mm (2.48 in) | 106-015 | PS 1813-6f-tm | trans. | 2 | 137-015 | PC 1813-6f-tm | trans. | 2 |
| Enclosure - high cover | 84 mm (3.31 in) | 106-515 | PS 1813-8f-tm | trans. | 2 | 137-515 | PC 1813-8f-tm | trans. | 2 |
| Enclosure - top hat cover | 137 mm (5.39 in) | 107-015 | PS 1813-13f-tm | trans. | 1 | 138-015 | PC 1813-13f-tm | trans. | 1 |

Accessories

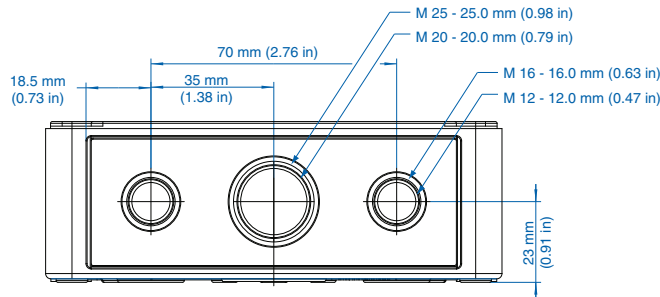
| Ordering Information | Cat. No. | Type | Std. Pk. |
|--------------------------|----------|------------|----------|
| Mounting Plate (plastic) | 195-011 | TKMPI-1813 | 1 |
| Mounting Plate (steel) | 197-011 | TKMPS-1813 | 1 |
| DIN Rail TS35-144mm | 198-144 | TS 35/144 | 1 |
| Hinge Kit Set | 190-005 | HK2 | 1 |
| Mounting Tab Kit | 194-001 | MT1 | 1 |

Please refer to pages 149-152 for additional accessories and detailed information.

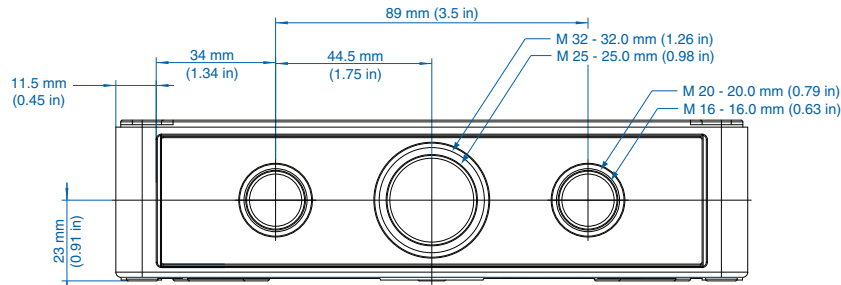


Knockout Positions

Side A (2x)



Side B



Side C

