

# HP 70 – Polypropylene – 75 x 75 mm (2.95 x 2.95 in.)

## Standard Features

- **Protection Level:** IP55
- **Technical:**
  - Metric - Inlets
  - 6 x M20 - Sides
  - 1 x M16 - Rear
  - 3 Installed M20 Entry Seals
  - (5-16 mm)
  - 2 Spare Entry Seals
  - Snap-on Cover
- **Enclosure Material:** Semi - Rigid Polypropylene
- **Material**
  - Temperature Range:** -30°C to 100°C (-22°F to 212°F)
- **Gasket Material:** None / Contact Labyrinth Seal
- **Color:** Light Gray
- **Accessories:** See section below



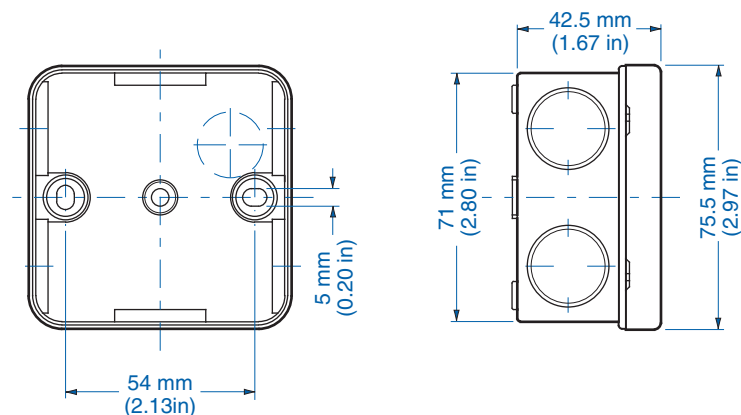
## HP

Ordering Information	Cat. No.	Type	Length	Dimensions mm (in)		Std. Pk.
				Width	Height	
Enclosure	320-970	HP70	75 mm (2.95 in)	75 mm (2.95 in)	42 mm (1.65 in)	10

## Accessories

Ordering Information	Cat. No.	Type	Std. Pk.
Terminal	460-525	2.5mm <sup>2</sup> - 5 pole	10
Universal Entry Seal - M20	216-420	M20	100

For Liquid Tight Strain Reliefs please refer to catalog pages 150-152.



## Knockout Detail

