

Abox-i 025 – Polycarbonate – 80 x 80 mm (3.15 x 3.15 in.)

Standard Features

- **Protection Level:** IP65
- **Technical:** Self Sealing, Soft Elastic Membranes
Suitable for Metric Entry
- **Sealing Area:** M20 - 2 to 16mm
- **UL Recognized**
- **Enclosure Material:** Polycarbonate
- **Gasket Material:** Polyurethane
- **Color:** Light Gray
- **Material**
- **Temperature Range:** Polycarbonate
-40°C to 120°C (-40°F to 248°F)
- **Accessories:** See section below



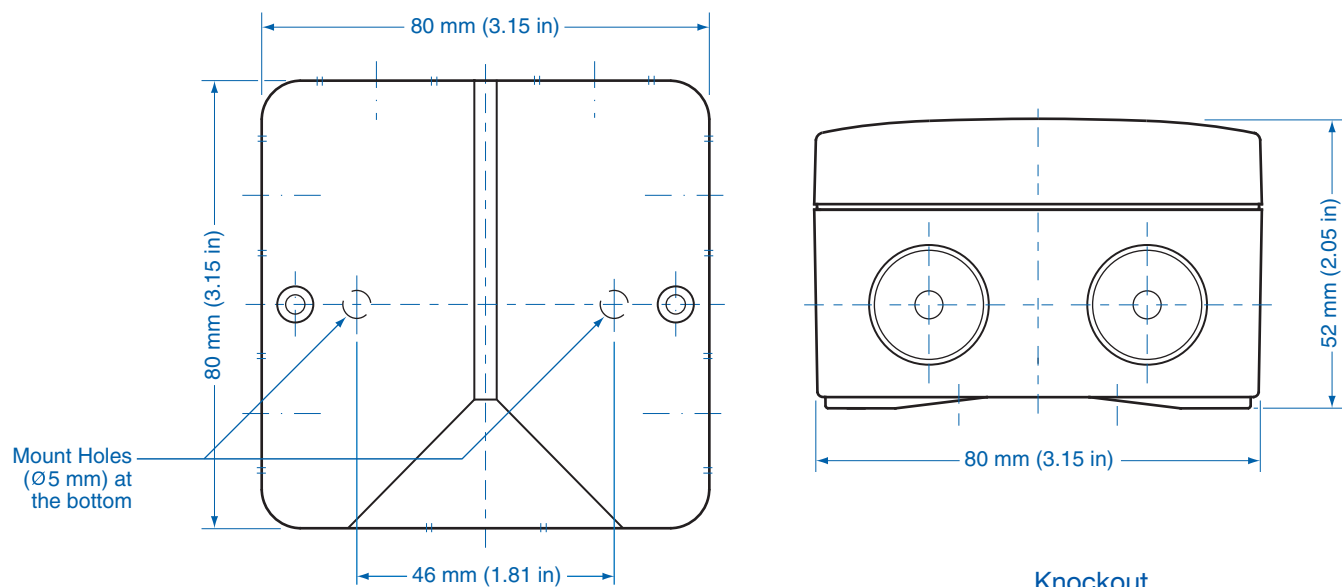
Abox-i

Ordering Information	Cat. No.	Terminal	Length	Dimensions mm (in)		Std. Pk.
				Width	Height	
Enclosure with terminals	490-402	2.5/4 mm ² - 5 pole	80 mm (3.15 in)	80 mm (3.15 in)	52 mm (2.05 in)	5
Enclosure - empty	490-902	NA	80 mm (3.15 in)	80 mm (3.15 in)	52 mm (2.05 in)	5

Accessories

Ordering Information	Cat. No.	Type	Std. Pk.
Terminal (base mount)	840-004	2.5/4 mm ² - 5 pole	10

Please refer to pages 149-152 for additional accessories and detailed information.



Knockout Detail

