

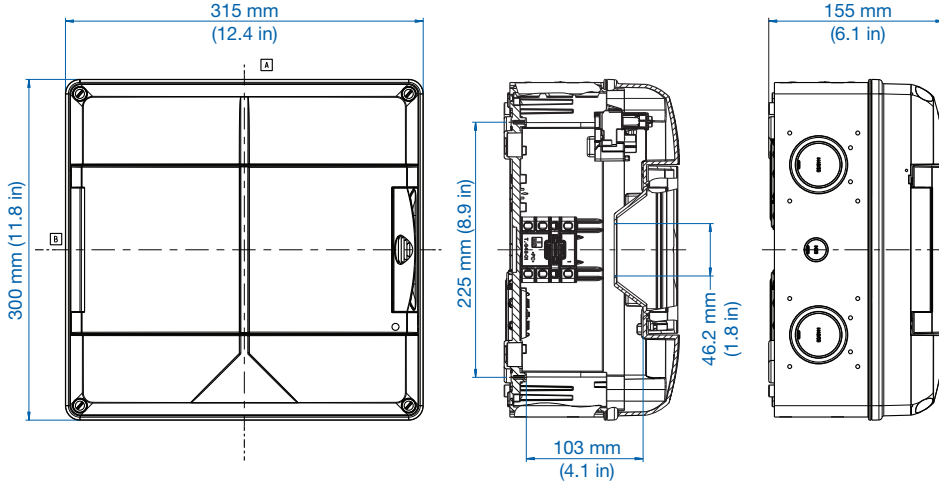


## Cat No. 733-514

### AK-F 14

#### Description

Distribution box - Industrial Quality -, flange type, with open top and bottom, for use with various flanges or to combine multiple AK-F - distribution boxes with combination flange, 1 row, 14 modules with pre-installed height adjustable DIN rail. Integrated ventilation elements included to reduce condensation. Labeling strips included.



**Knockouts on each side:**  
2x M40/50  
1x M20

**Rear Knockouts:**  
2x M32/40  
4x M20/25



315 x 300 x 155 mm  
(12.4 x 11.8 x 6.1 in)



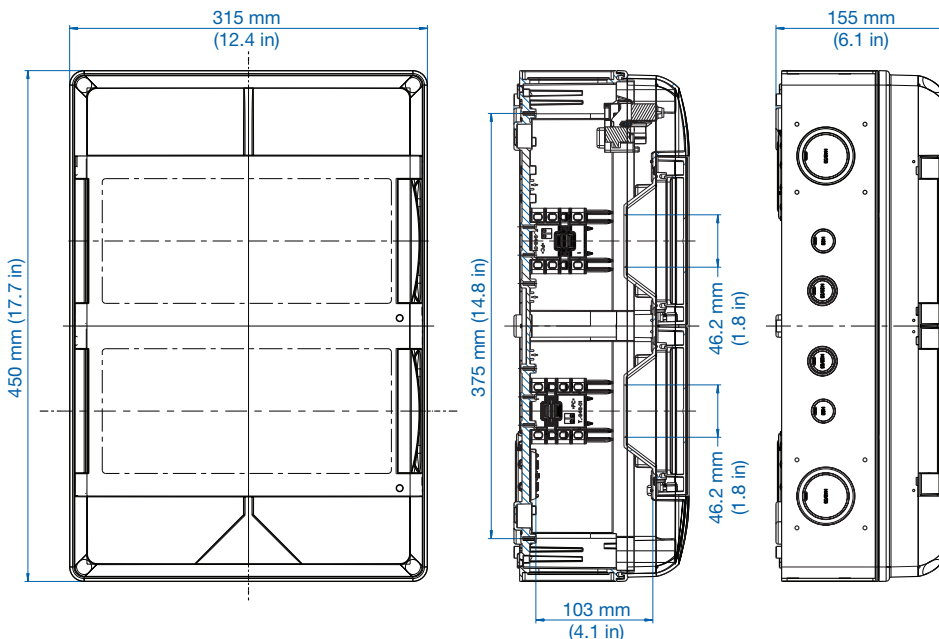
Flange end walls sold separately see page 8.

## Cat No. 733-528

### AK-F 28

#### Description

Distribution box - Industrial Quality -, flange type, with open top and bottom, for use with various flanges or to combine multiple AK-F - distribution boxes with combination flange, 2 rows, 28 modules with pre-installed height adjustable DIN rails. Integrated ventilation elements included to reduce condensation. Labeling strips included.



**Knockouts on each side:**  
2 x M40/50  
2 x M20/25  
2 x M20

**Rear Knockouts:**  
2 x M32/40  
6 x M20/25



315 x 450 x 155 mm  
(12.4 x 17.7 x 6.1 in)



Flange end walls sold separately see page 8.