

Panel Mount Receptacle



c  US
 E154664

External Dimension (HxWxL mm)	36.5 x 61.5 x 50
Stripping Length	10 mm
Insulation Material	Thermoplastic
Type of Connection	3 screw clamps
Voltage Rating	125 V
Current Rating	15 A
Temperature Rating	-25°C to +60°C (-13°F to +140°F)

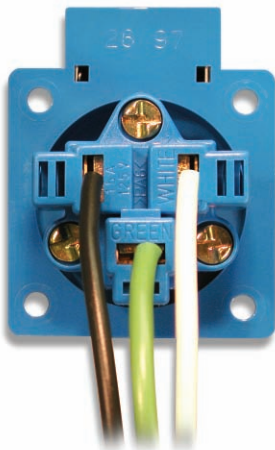
Colors:

- Blue
- Gray
- Black

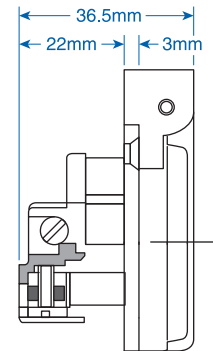
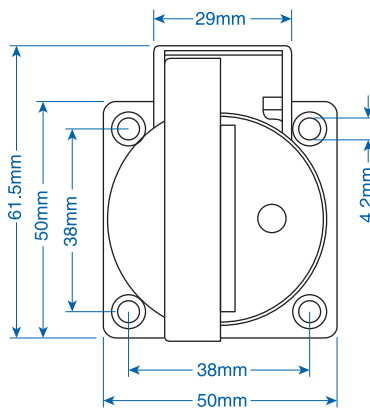
Cat. No.	Std. Pk.
PMRBU	1
PMRGR	1
PMRBA	1

Optional Accessory Sealing Gasket	SEALGASK 1
--------------------------------------	------------

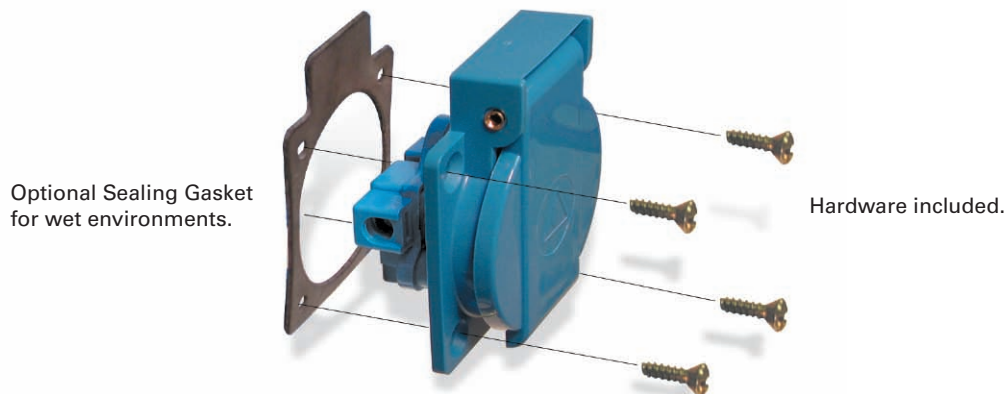
Wiring of Receptacles



Dimensions:



Explosion View:



Optional Sealing Gasket
for wet environments.

Hardware included.

Wall Mount Receptacle



External Dimension (HxWxL mm)	50 x 71 x 53.5
Stripping Length	10 mm
Insulation Material	Thermoplastic
Type of Connection	3 screw clamps
Voltage Rating	125 V
Current Rating	15 A
Temperature Rating	-25°C to +60°C (-13°F to +140°F)

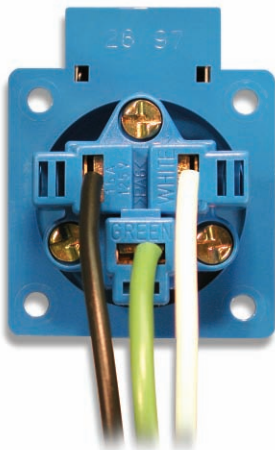
Colors:

- Blue
- Gray
- Black

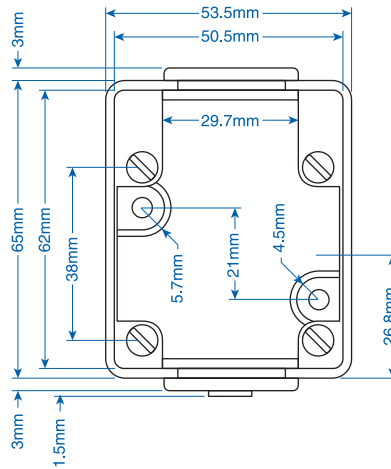
Cat. No.	Std. Pk.
WMRBU	1
WMRGR	1
WMRBA	1

Optional Accessory Sealing Gasket	SEALGASK 1
--------------------------------------	------------

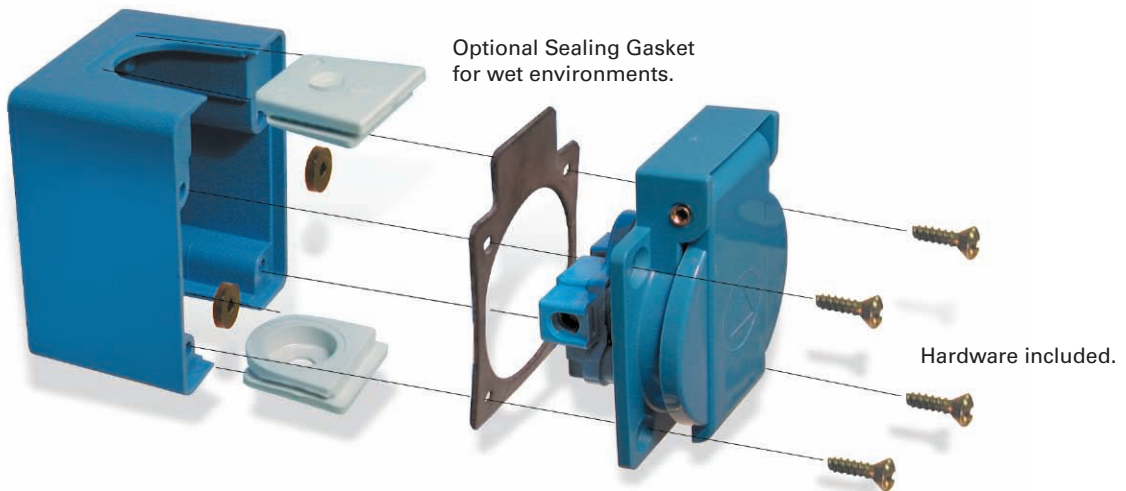
Wiring of Receptacles



Dimensions:



Explosion View:



DIN Rail Mount Receptacle



cULus
E154664

External Dimension (HxWxL mm)	58.5 x 84 x 53.5
Stripping Length	10 mm
Insulation Material	Thermoplastic
Type of Connection	3 screw clamps
Voltage Rating	125 V
Current Rating	15 A
Temperature Rating	-25°C to +60°C (-13°F to +140°F)

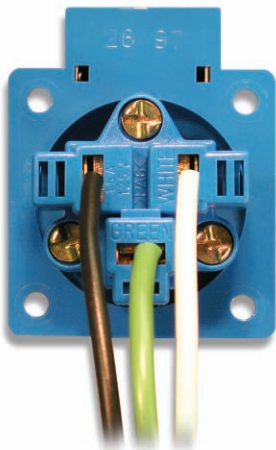
Colors:

- Blue
- Gray
- Black

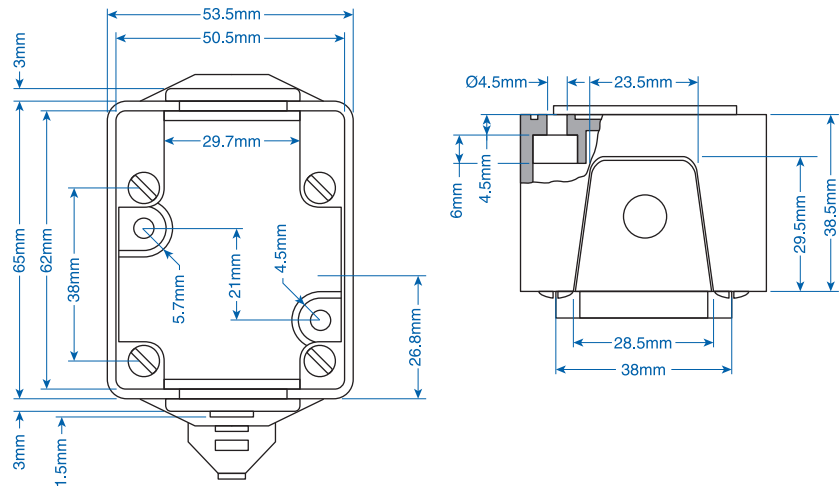
Cat. No.	Std. Pk.
DMRBU	1
DMRGR	1
DMRBA	1

Optional Accessory Sealing Gasket	SEALGASK 1
--------------------------------------	------------

Wiring of Receptacles



Dimensions:



Explosion View:

