

ALUMINUM NEW ONE PHASE POWER DISTRIBUTION BLOCKS

- For use with copper and aluminum cable (solid and stranded)
- Quick mounting and wiring
- IP20 Finger Safe
- DIN Rail or Panel Mount
- Blocks fit with other DIN Rail mountable modular devices (height 95mm, depth 44.5mm)
- Accessories increase the number of outputs with only one input (applies **only** to 38641 and 38632)
- No caps to open or remove
- Material
Housing: Polyamide
Metal Body: Aluminum (tin plated)

38641

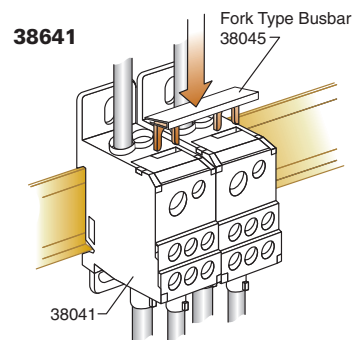
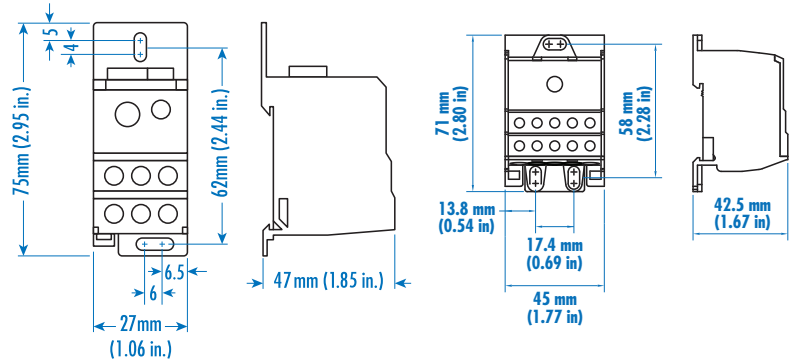


38676



Part Number:	38641		38676	
Approvals	UL File E98082		UL File E98082	
Current Rating (CU)	115A	125A	115A	125A
(AL)	90A	100A	90A	100A
Voltage Rating	600V AC/DC	1000V AC 1500V DC	600V AC/DC	1000V AC 1500V DC
No. of Inputs	1	1	1	1
Wire Range	8-2 AWG	10-35mm ²	8-2 AWG	10-35mm ²
Torque	31lb.-in.	3.5Nm	31lb.-in.	3.5Nm
Screw Type	Hex 4		Hex 4	
No. of Outputs	7	7	10	10
Wire Range	14-4 AWG	2.5-25mm ²	14-4 AWG	2.5-25mm ²
Torque	18lb.-in.	2Nm	18lb.-in.	2Nm
Screw Type	Hex 2.5		Hex 3	

Dimensions:



Accessories: Fork Type Busbar
Part No: **38045** to jump 2 Blocks
38046 to jump 8 Blocks
(can be cut)

38632



38674

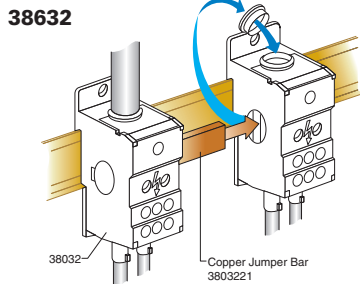
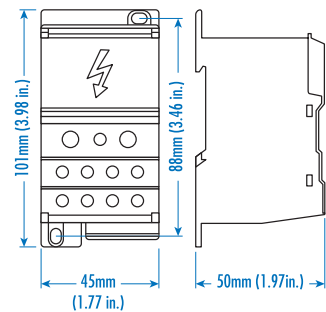
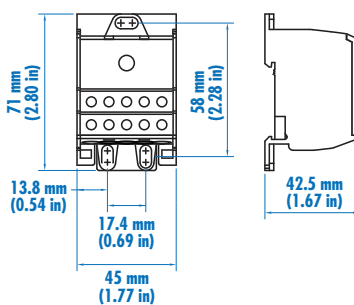
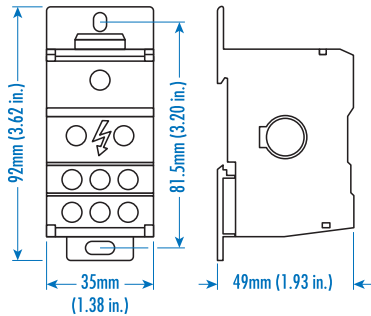


38620



Part Number:	38632		38674		38620	
Approvals	UL File E98082		UL File E98082		UL File E98082	
Current Rating (CU) (AL)	175A 135A	175A 135A	175A 135A	175A 135A	255A NA	250A 200A
Voltage Rating	600V AC/DC		600V AC/DC		600V AC/DC	
No. of Inputs	1		1		1	
Wire Range	8-2/0 AWG	10-70mm ²	8-2/0 AWG	16-70mm ²	2-250kcmil	35-120mm ²
Torque	35.5lb.-in.	4Nm	35.5lb.-in.	4Nm	280lb.-in.	31Nm
Screw Type	Hex 5		Hex 5		Hex 6	
No. of Outputs	6		10		11	
Wire Range	14-4 AWG	2.5-25mm ²	14-4 AWG	2.5-16mm ²	(2x) 14-2AWG	(2x) 2.5-35mm ²
Torque	18lb.-in.	2Nm	18lb.-in.	2Nm	31lb.-in.	3.5Nm
Wire Range	-	-	-	-	(5x) 14-6AWG	(5x) 2.5-16mm ²
Torque	-	-	-	-	18lb.-in.	2Nm
Wire Range	-	-	-	-	(4x) 14-8AWG	(4x) 2.5-10mm ²
Torque	-	-	-	-	18lb.-in.	2Nm
Screw Type	Hex 2.5	Hex 2.5	Hex 3	Hex 3	Hex 3	Hex 3

Dimensions:



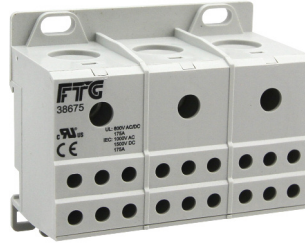
Accessories: Copper Jumper Bar (6x15 mm)
 Part No: **3803221** for 2 Blocks
3803231 for 3 Blocks
3803241 for 4 Blocks (can be cut)

ALUMINUM **NEW** THREE PHASE POWER DISTRIBUTION BLOCKS

- For use with copper and aluminum cable (solid and stranded)
- Quick mounting and wiring
- IP20 Finger Safe
- DIN Rail or Panel Mount
- Blocks fit with other DIN Rail mountable modular devices
- Same compact size for both ratings
- No caps to open or remove
- Material

Housing: Polyamide
Metal Body: Aluminum
(tin plated)

38675



38673



Part Number:	38675		38673	
Approvals	UL File E98082		UL File E98082	
Current Rating (CU)	115A	125A	175A	175A
(AL)	90A	100A	135A	135A
Voltage Rating	600V AC/DC	1000V AC 1500V DC	600V AC/DC	1000V AC 1500V DC
No. of Inputs	3x1	3x1	3x1	3x1
Wire Range	8-2 AWG	10-35mm ²	8-2/0AWG	10-70mm ²
Torque	31lb.-in.	3.5Nm	35.5lb.-in.	4Nm
Screw Type	Hex 4	Hex 4	Hex 5	Hex 5
No. of Outputs	3x6	3x6	3x6	3x6
Wire Range	14-4AWG	2.5-16mm ²	14-4AWG	2.5-16mm ²
Torque	18lb.-in.	2Nm	18lb.-in.	2Nm
Screw Type	Hex 3	Hex 3	Hex 3	Hex 3

Dimensions:

