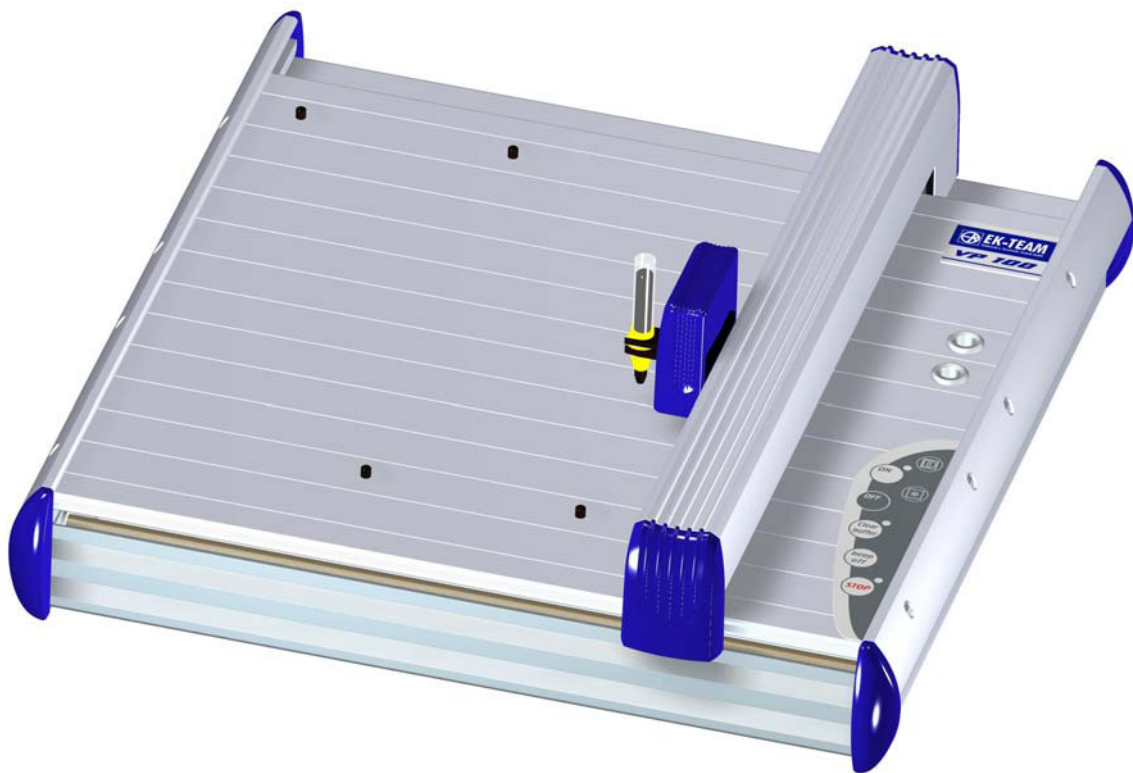


EK *Vario Plotter VP 100*



Vario Plotter VP 100 Operating Instructions

EK Vario Plotter VP 100

Vario Plotter VP 100 Operating Instructions

Content

1. Introduction	3
2. Items supplied	4
3. Product overview	5
4. Set-up	6
5. Operation	7
6. Cleaning and product care	10
7. Accessories	11
8. Troubleshooting	12
9. Technical information	13
10. Instructions for packaging the plotter VP 100	14
11. Safety instructions	15

■ 1. Introduction:

Thank you for purchasing the **VP 100**, a flexible plotter that helps you label marking elements quickly and easily.

- Rugged construction in stylish aluminium
- Labelling area A4 size 220 mm x 305 mm
- Easy to change fixtures to suit a variety of marking elements
- Auto calibration no adjustment necessary
- Capable of labelling marking elements up to 10.5 mm in height.
Special solutions for up to 15 mm are possible
- Universal power supply of 100-240V AC
- The special start-up function for the plotter pens ensures neat labelling right from the very first marking element
- PC interfaces: USB ports
- Control language: HPGL
- Possible to update **VP 100** software through PC connection and downloading from the Internet

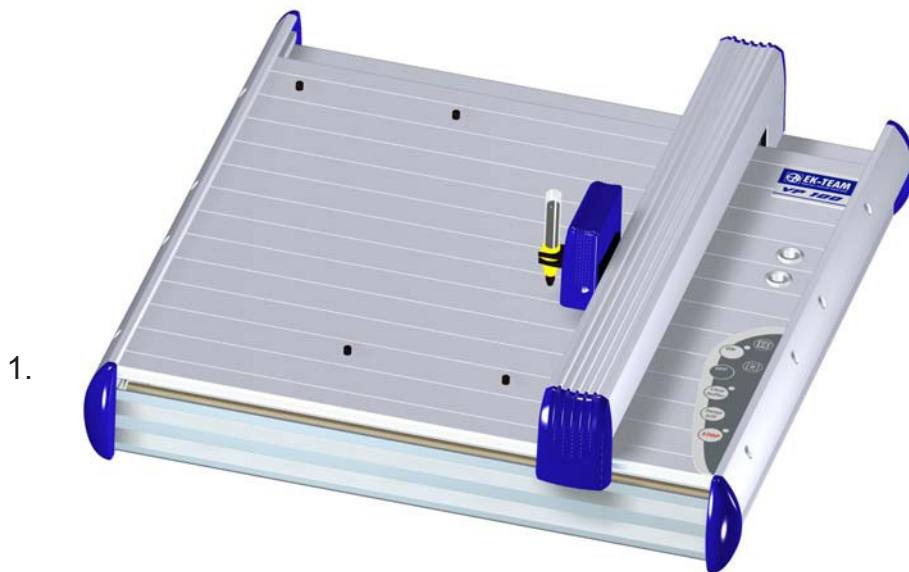
■ 2. Items supplied

Please check you have received all the items supplied with your labelling device (see list below).

Please retain the packaging in case you need to return the device.

The following items are supplied as standard:

- 1. Vario Plotter **VP 100**
- 2. Power supply with corresponding mains power cord
- 3. USB cable
- 4. Operating instructions



2.



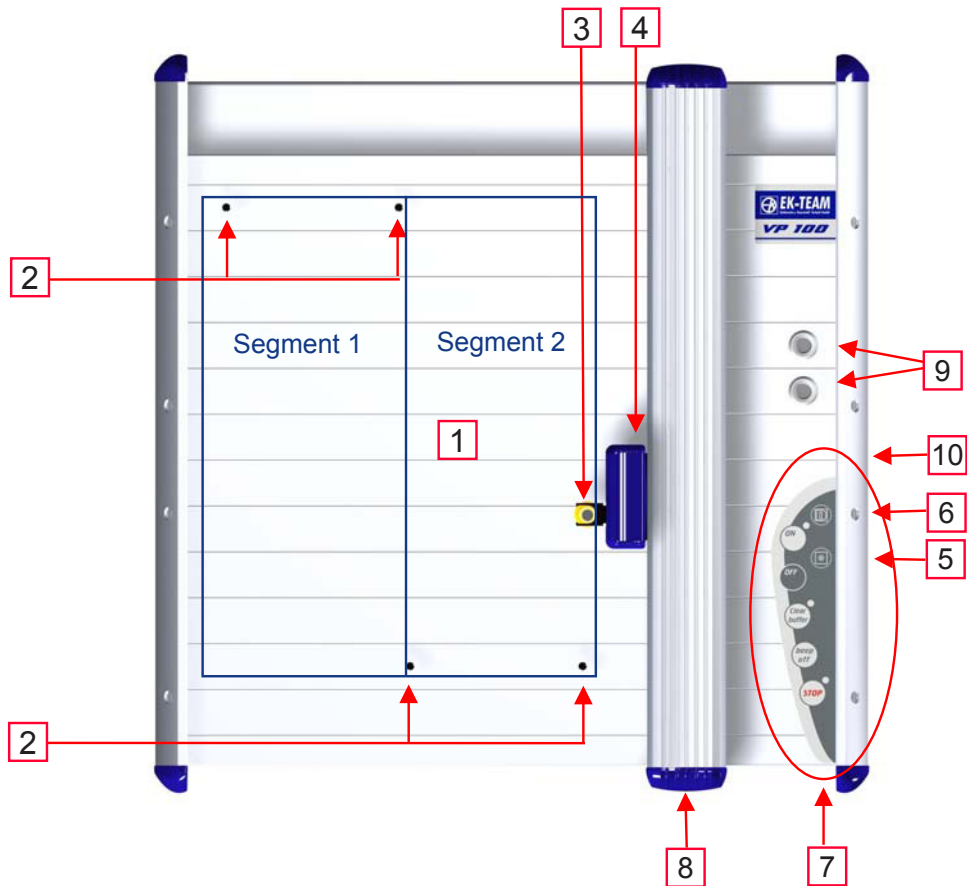
3.



4.



3. Product overview



- 1) Plotting area
- 2) Pins for holding support plates
- 3) Clip adapter for plotter pen
- 4) Penholder
- 5) Power supply
- 6) USB port
- 7) Control panel/control keys
- 8) Writing arm
- 9) Plotter pen storage location
- 10) Interface for optional external devices

■ 4. Setting up the Vario Plotter VP 100

Location

A dry, dust-free room is the ideal environment for the plotter. If possible, do not install the device in damp or very dusty areas. Do not expose the system to direct sunlight. Please ensure that the connections on the right-hand side of the device are accessible at all times. Position the **VP 100** firmly on the work surface where it is to be used, ensuring it is level.

Please ensure that the writing arm can move freely and is not obstructed by other objects.

Connections

Plug the device into a correctly installed mains socket using the power supply included with the product.

The power supply features a variable AC input voltage of 100-240V~50-60Hz.

The power connection can be replaced by way of adapter plugs.

Plug the connector from the output cable on the power supply into the top right-hand side of the plotter.

Then hook up the device using the provided USB cable. The respective ports are located on the right-hand side of the **VP 100**.

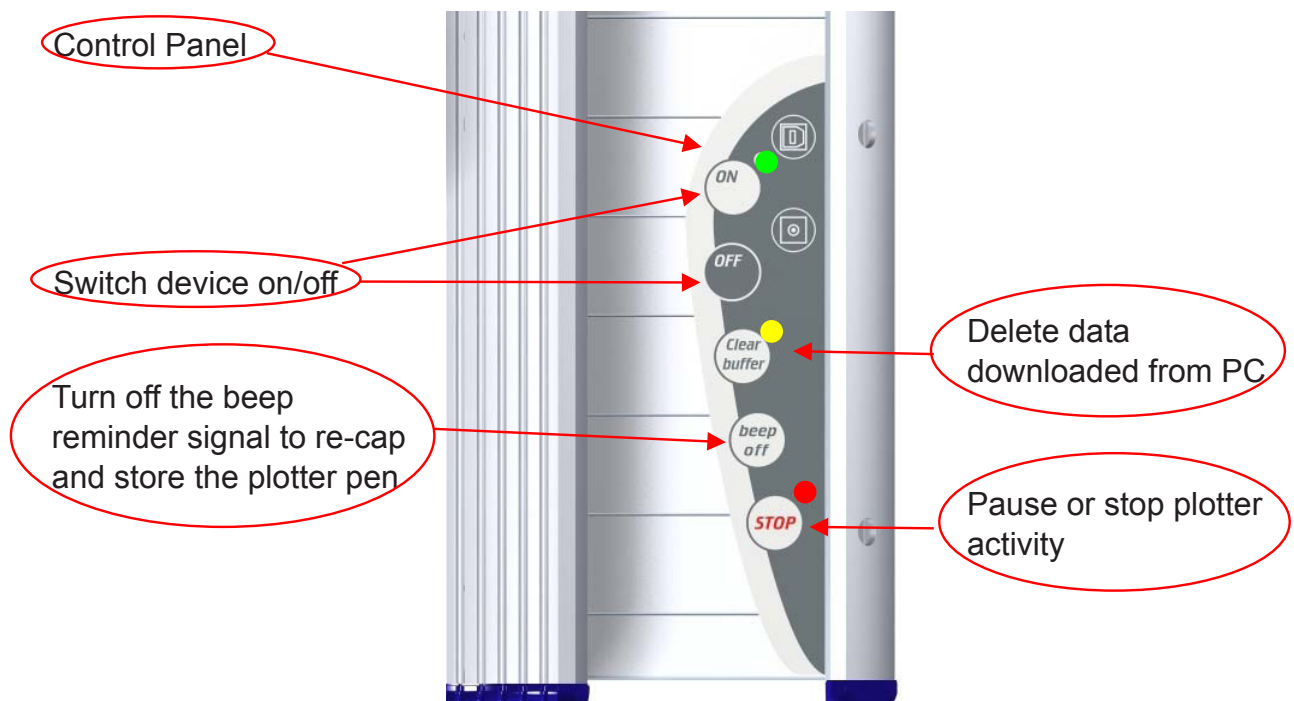
5. Operation

Once you have installed the **VP 100** and connected the power supply and data cable, you can switch the plotter on.

Important:

Before switching the device on please ensure that there are no objects on the writing/plotting area which might prevent the writing arm from moving freely.

All settings and commands are entered using the control panel.



ON/OFF buttons

The ON/OFF buttons are used to activate and deactivate the device. When the plotter is switched on, the writing arm moves to the top right-hand corner of the labelling area and auto calibration takes place. The green light comes on when the system is ready for use and to receive data from the PC.

Clear buffer

If the **VP 100** contains data the yellow light will come on. You can delete this data by pressing the 'Clear buffer' key.

To do this the system must be in stop mode (red light on).

Stop/view key

If the 'stop/view' key is activated while the plotter is in action, the job will pause immediately and the plotter pen will move into the top right-hand corner. The red light will signal the interruption. Pressing the key again will calibrate the writing arm and the plotter will continue with the job. The red light will go out.

Beep off key

After completion of the print job an acoustic signal (beep) will notify the user to take the pen out of the pen holder and re-cap. The signal will be repeated continuously after 20 seconds and can be turned off by using the 'beep off' key.

Attention:

The pen will clog and dry up if it remains un-capped in the pen holder.

→ *Please note:*

To turn off the signal in general please press 'Clear buffer' and 'beep off' together and press 'ON' to start the plotter.

To re-activate the signal please use the same sequence.

Insert the plotter pen into the pen holder

Before using the **VP 100**, insert the plotter pen with the desired tip width into the clip adapter of the pen holder.

Important:

Only plotter pens of the types shown with HP-adaption may be used. Using other plotter pens and writing instruments may damage the device.



→ *Please note:*

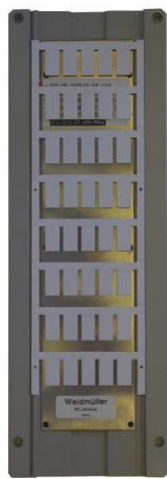
Prior to starting the plot, please select the pen with the desired tip width and make sure to prime the pen on a plastic surface. Insert the pen directly into the pen holder.

The plotter always re-calibrates prior to first plotting.

Placing the fixtures on the Vario Plotter

There are four pin stops on the plotting area where up to two different fixtures can be loaded. Different fixtures are available depending on the size of the marking elements. They can occupy one or two segments on the plotting area.

Different size fixtures:



1 segment



2 segments

Placing the elements in the fixtures

Choose the appropriate fixture for the elements to be labelled and insert the elements carefully into the fixture. You can also add the elements first and then place the fixtures on the plotter.

■ 6. Cleaning and product care

Protect the **VP 100** from dust and other dirt. When not in use, cover the plotter. A special dust cover is available as an accessory.

Wipe the device occasionally after use with a dry, lint-free cloth or a mild cleaning agent.

Important:

Under no circumstances use harsh cleaning products to clean the Vario plotter. Never lubricate the mechanical parts of the plotter.

7. Accessories



Plotter Pen-R

available in six tip-widths

■ 0.18 mm
 0.25 mm
 ■ 0.35 mm
 ■ 0.50 mm
 ■ 0.70 mm
 ■ 1.00 mm



Ink Cartridges



Pen holder



Plotter Pen-D

available in six tip-widths

■ 0.18 mm
 0.25 mm
 ■ 0.35 mm
 ■ 0.50 mm
 ■ 0.70 mm
 ■ 1.00 mm



Cleaning Set



Pen Cleaner



Cleaning Fluid



Dust Protection Cap

Further accessories to be found in our price-list and on Internet www.ek-team.de

8. Troubleshooting

If your Vario plotter **VP 100** is not functioning correctly, please check the following:

Device fails to switch on

Check whether the mains plug and connecting plug are plugged in correctly.
Check whether the socket being used is functioning properly. Is the green light of the power supply illuminated? If not, please replace the power supply.

Plotter does not respond to data downloaded from PC

Is the interface cable connected properly?
Replace the data cable if necessary.
Is the correct interface on the PC being used?

No labelling is taking place even though a plotter pen has been inserted.

Check whether the plotter pen has dried out or if there is sufficient ink in the pen.
Refill or replace the pen if necessary.

Poor labelling quality, uneven line thickness, missing items

The plotter pen tip may be spoiled. Clean the tip carefully using a lint-free cloth dipped in special cleaning fluid.
Replace the plotter pen if necessary.

TECHNICAL SUPPORT:



+49 40 853749-00



info@ek-team.de
www.ek-team.de

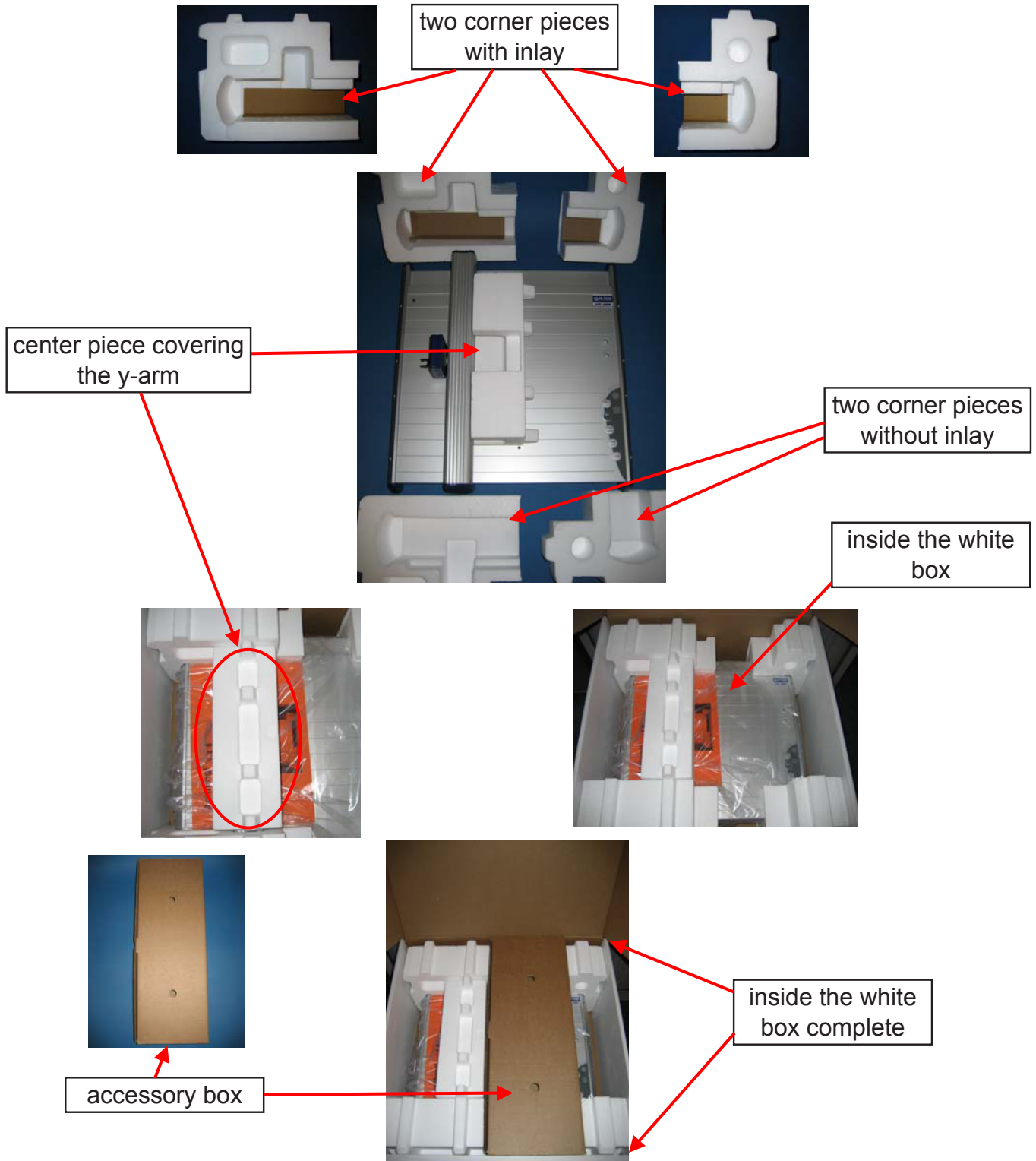
EK-Team GmbH
Schnackenburgallee 43-45
D-22525 HAMBURG / Germany

9. Technical Information

EK-TEAM VP 100 plotter specifications

Type of plotter:	Flatbed plotter
Maximum plotting area:	220 mm x 305 mm
Plotting speed with pen:	Max. 40 mm/s
Plotter pen:	Special plotter pens with HP fixing
Ports:	USB Level 1.1
Control language:	Based on HP-GL 7475A
Buffer:	16 MB
Drive:	Two-phase step motor
Addressable resolution:	.01 mm
Repeat accuracy:	.05 mm
Repeat accuracy after pen change:	.05 mm with optimum pen
Power supply:	Via separate power supply with exchangeable mains power connection
Power supply input voltage:	100-240V AC 50-60Hz
Power supply input current:	.7 A max.
Power supply output voltage:	24 V DC
Power supply output current:	1.25 A max.
Environmental conditions:	In use: 10°C-35°C 35%-75% relative humidity Storage: -10°C-50°C 10%-90% relative humidity
Safety certificate:	EN 60950-1
Interference safety compliance:	EN 55022 B EN 61000-4-2 to 6 EN 61000-4-11
Dimensions:	440 mm x 440 mm x 125 mm
Weight:	Approx. 6 kg

10. Instructions for packaging the plotter VP 100



■ 11. Safety instructions

Safety instructions

- Keep the operating instructions in a safe place.
- This device complies with all recognised technical standards and all relevant safety regulations.
- The mains power supply used must correspond with that specified on the name plate.
- Use in dry conditions only.
- Disconnect the device from the mains socket by pulling the plug, not the cord.
- All repairs, including replacement of mains power supply components, must be performed by a qualified service technician.