

Cable Gland / EMC - Nickel-Plated Brass

Material:

- Body: Nickel-plated brass
- Seal: Tefabloc
- Clamping ring for grounding connection: Tin-plated plastic
- Seal ring for outer thread: Nitril

Characteristics:

- PG/Metric thread

Technical properties:

- Continuous EMC protection due to tin-plated plastic
- Gas- and watertight
- Completely twist protected
- Combinable with various sealing inserts

Applications:

- Machines and devices
- Measuring and control engineering
- Plant installations



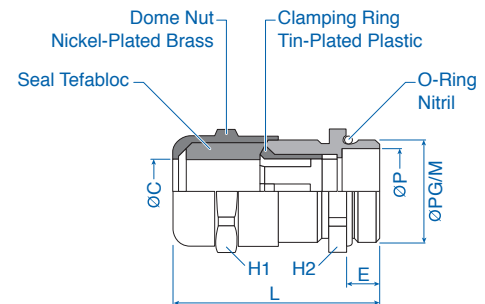
Temperature Range MS
-25 to 120°C (-13 to 248°F)



Dimensions

Thread Size	H1 mm	H2 mm	E mm	L mm	ØC mm	ØP mm	ØPG/M mm
PG7	14	14	5	35	6.5	7.2	12.5
PG9	17	17	6	37	8.5	9.2	15.2
PG11	20	20	6	40	10.5	11.2	18.6
PG13.5	22	22	6.5	40	12.5	13.1	20.4
PG16	24	24	6.5	40	15.2	15.6	22.5
PG21	30	30	7	50	18.5	20.1	28.3
PG29	40	40	8	60	25.0	26.2	37.0
PG36	50	50	9	70	30.5	33.0	47.0
M 12x1.5/7	14	14	7	37	6.5	7.2	12.0
M 16x1.5/7	14	17	7	37	6.5	7.2	16.0
M 16x1.5/9	17	17	7	38	8.5	9.2	16.0
M 20x1.5/11	20	22	7	41	10.5	11.2	20.0
M 20x1.5/13	22	22	7	41	12.5	13.1	20.0
M 25x1.5/16	24	26	8	41	15.2	15.6	25.0
M 25x1.5/21	30	30	8	51	18.5	20.1	25.0
M 32x1.5/21	30	33	8.5	51.5	18.5	20.1	32.0
M 32x1.5/29	40	40	8.5	60.5	25.0	26.2	32.0
M 40x1.5/29	40	42	8.5	60.5	25.0	26.2	40.0
M 40x1.5/36	50	50	8.5	67	30.5	33.0	40.0

Outer thread	Cable Clamping range mm	Shield Clamping range mm	Cat. No.	Std. Pk.
PG				
PG 7	4 - 6.5	4 - 6.5	4264007	50
PG 9	5 - 8.5	4.5 - 8.5	4264009	50
PG 11	7 - 10.5	6 - 10.5	4264011	50
PG 13.5	8 - 12.5	8 - 12.5	4264013	50
PG 16	10 - 14.5	10 - 14.5	4264016	20
PG 21	13.5 - 18	13.5 - 18	4264021	20
PG 29	17 - 24	17 - 24	4264029	10
PG36	24 - 30	24 - 30	4264036	10
Metric				
M 12 x 1.5/7	4 - 6.5	4 - 6.5	4264112	50
M 16 x 1.5/7	4 - 6.5	4 - 6.5	4264116	50
M 16 x 1.5/9	5 - 8.5	4.5 - 8.5	4264117	50
M 20 x 1.5/11	7 - 10.5	6 - 10.5	4264120	50
M 20 x 1.5/13	8 - 12.5	8 - 12.5	4264121	50
M 25 x 1.5/16	10 - 14.5	10 - 14.5	4264125	20
M 25 x 1.5/21	13.5 - 18	13.5 - 18	4264126	20
M 32 x 1.5/21	13.5 - 18	13.5 - 18	4264132	10
M 32 x 1.5/29	17 - 24	17 - 24	4264133	10
M 40 x 1.5/29	17 - 24	17 - 24	4264134	10
M 40 x 1.5/36	24 - 30	24 - 30	4264135	10



Material:

- Body: Nickel-plated brass
- Seal: Santoprene
- O-ring: Perbunan

Characteristics:

- PG thread

Technical properties:

- EMC protection due to pressure rings and circular spring
- Gas- and watertight
- Completely twist protected

Applications:

- Machines and devices
- Measuring and control engineering
- Plant installations

Thread Size	Dimensions			
	H mm	E mm	L mm	ØPG mm
PG9	20	6	34	15.2
PG11	24	10	41	18.6
PG13.5	24	10	41	20.4
PG16	30	11	43	22.5
PG21	30	12	44	28.3
PG29	40	13	53	37.0
PG36	50	14	61	47.0
PG42	60	15	65	54.0



Temperature Range MS
 -40 to 135°C (-40 to 275°F)



Outer thread	Cable Clamping range mm	Shield Clamping range mm	Cat. No.	Std. Pk.
PG				
PG 9	4 - 6	2.5 - 6	4266003	25
PG 9	6.5 - 9.5	2.2 - 6.5	4266004	25
PG 9	6.5 - 9.5	3.5 - 8.5	4266005	25
PG 11	4 - 6	3 - 6	4266006	25
PG 11	6 - 9	3.5 - 7.5	4266007	25
PG 11	7 - 10.5	4 - 8.5	4266008	25
PG 13.5	4 - 6	4 - 6	4266010	25
PG 13.5	6 - 9	3.5 - 7.5	4266011	25
PG 13.5	7 - 10.5	4 - 8	4266013	25
PG 16	6 - 9.5	6 - 9	4266015	25
PG 16	6 - 10.5	6 - 9	4266014	25
PG 16	8 - 12	6 - 9.5	4266018	25
PG 16	10 - 14	9 - 13	4266016	25
PG 16	14 - 18	9 - 13	4266020	25
PG 21	6 - 10.5	6 - 10	4266023	20
PG 21	10 - 14	9 - 13	4266021	20
PG 21	14 - 18	9 - 13	4266024	20
PG 21	14 - 18	12.5 - 17.5	4266025	20
PG 21	17 - 20	12.5 - 17.5	4266022	20
PG 29	19 - 23	15 - 21	4266028	20
PG 29	22 - 27	15 - 21	4266029	20
PG 36	25 - 29	18 - 25.5	4266031	10
PG 36	29 - 32	24 - 31	4266033	10
PG 42	37 - 41	29 - 33	4266035	10

