



Top Cover enclosures are rectangular with either square or rounded corners. They are available in six cover designs and many sizes.

Materials

Bases and covers

- ABS [Acrylonitrile Butadiene Styrene] (ABS)
- Polystyrene (PS)
- Polycarbonate (PC)
- Aluminum (AL)

Panels

- Anodized Aluminum (AA)

Please see each ordering page for specific information.

Printed Circuit Board (PCB) Guides and Mounting Studs

Top Cover enclosures have integral PCB guides in either multiple or high density configurations.

- The PCB guides accept boards up to 1.57 mm (.062 in.) thick.
- TC4 has PCB mounting studs inside the cover, in addition to the PCB guides.
- TC7 has PCB mounting studs inside the bottom of the base, in addition to the PCB guides.

Please see each ordering page for the location, quantity and size of all Printed Circuit Board guides and mounting studs, as well as the maximum thickness of a PCB that can be placed into each enclosure.

Packaging

To protect your aluminum cover plates and panels, they are shipped with pull-off plastic film on one side.

Standard packs are listed on each ordering page.

In a standard pack of one, each enclosure is shrink wrapped individually.

In a standard pack of five, enclosures are shrink wrapped in one package.

TOP COVER

Top Cover - TC1

It features square corners and an aluminum cover plate. The base walls have integral Printed Circuit Board (PCB) guides. The cover plate is recessed 4 mm (.16 in.).

Each Kit Includes

Base	Cover	Panel	Screws
1	1	—	4-SC10

Assembly

1. Place the cover plate onto the base.
2. Insert and tighten the 4 panhead, self-tapping Phillips screws to secure the cover.

Materials

Base for types TC1-K/1, TC1-K/2: Polystyrene (PS)
 Base for types TC1-P/1 - TC1-P/4: ABS
 Cover plate: Aluminum (AL)
 Screws: Steel, Nickel Plated (SP)

Standard Base Colors

Medium gray, black; glossy finish

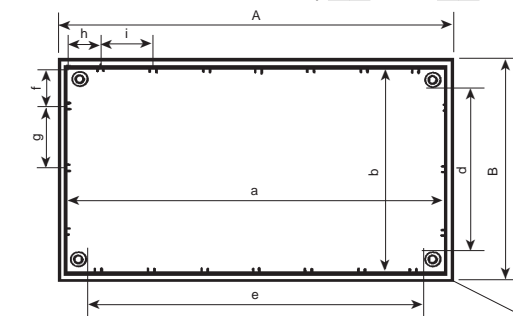


Ordering Information

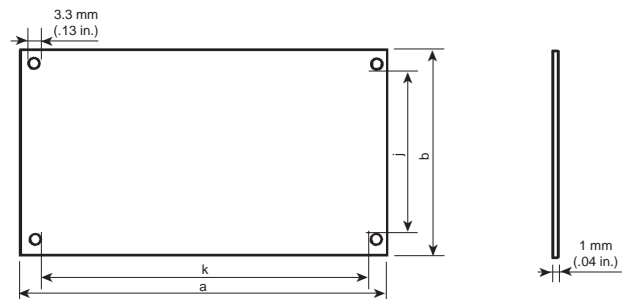
External Dimensions mm (in.) and Special Notes

Type	Cat. No.		Std. Pk.	A	B	C	Materials For Base
	Med. Gray	Black					
TC1-K/1 BK	—	94.045	1	85.0 (3.19)	56.0 (2.20)	35.5 (1.40)	PS
TC1-K/2 BK	—	94.046	1	110.0 (4.33)	70.0 (2.76)	49.0 (1.93)	PS
TC1-P/1 <input type="checkbox"/>	94.001	94.005	5	85.0 (3.35)	56.0 (2.20)	35.5 (1.40)	ABS
TC1-P/2 <input type="checkbox"/>	94.002	94.006	5	110.0 (4.33)	70.0 (2.76)	49.0 (1.93)	ABS
TC1-P/3 <input type="checkbox"/>	94.003	94.007	1	160.0 (6.30)	96.0 (3.78)	61.0 (2.40)	ABS
TC1-P/4 <input type="checkbox"/>	94.004	94.008	1	215.0 (8.46)	130.0 (5.12)	77.0 (3.03)	ABS

Color Selection: Medium Gray or Black



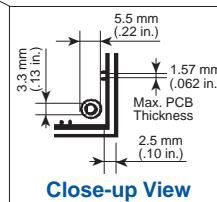
Base Top View



Cover Plate



Side View



Close-up View

Number of PCB Guides and Mounting Studs

Type	Guides		Studs	
	A	B	Base	Cover
TC1-K/1	5	3	—	—
TC1-K/2	5	3	—	—
TC1-P/1	5	3	—	—
TC1-P/2	5	3	—	—
TC1-P/3	7	5	—	—
TC1-P/4	7	3	—	—

Guides column refers to external sides A and B.

Internal Dimensions mm (in.)

Type	a	b	c	d	e	f	g	h	i	j	k
TC1-K/1	81.0 (3.19)	51.0 (2.01)	26.5 (1.04)	38.0 (1.50)	67.0 (2.64)	10.5 (0.41)	15.0 (0.59)	10.5 (0.41)	15.0 (0.59)	39.8 (1.57)	68.7 (2.70)
TC1-K/2	105.0 (4.13)	65.0 (2.56)	39.5 (1.56)	49.0 (1.93)	89.0 (3.50)	12.5 (0.49)	20.0 (0.79)	12.5 (0.49)	20.0 (0.79)	52.7 (2.07)	91.3 (3.59)
TC1-P/1	81.0 (3.19)	51.0 (2.01)	26.5 (1.04)	38.0 (1.50)	67.0 (2.64)	10.5 (0.41)	15.0 (0.59)	10.5 (0.41)	15.0 (0.59)	39.8 (1.57)	68.7 (2.70)
TC1-P/2	105.0 (4.13)	65.0 (2.56)	39.5 (1.56)	49.0 (1.93)	89.0 (3.50)	12.5 (0.49)	20.0 (0.79)	12.5 (0.49)	20.0 (0.79)	52.7 (2.07)	91.3 (3.59)
TC1-P/3	155.0 (6.10)	91.0 (3.58)	51.0 (2.01)	77.0 (3.03)	141.0 (5.55)	12.5 (0.49)	16.5 (0.65)	13.0 (0.51)	21.5 (0.85)	79.0 (3.11)	142.6 (5.61)
TC1-P/4	210.0 (8.27)	125.0 (4.92)	66.0 (2.60)	109.0 (4.29)	195.0 (7.68)	34.5 (1.36)	28.0 (1.10)	10.5 (0.41)	31.5 (1.24)	111.7 (4.40)	196.0 (7.72)

Please see page 84 for information on screws.

Please see page 82 for information on accessories.

Please see page 5 for information on packaging.

Top Cover - TC2

It has rounded corners and the base walls have integral Printed Circuit Board (PCB) guides in a high density configuration. The cover has countersunk screw holes.

Each Kit Includes

Base	Cover	Panel	Screws
1	1	—	4-SC1

Assembly

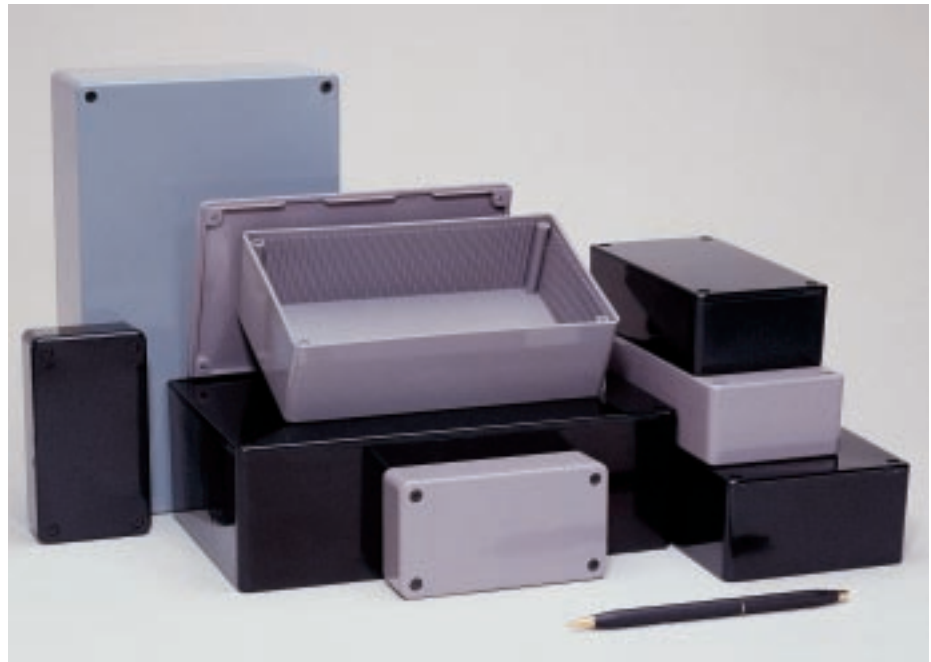
1. Place the cover on the base rim, using the flange in the cover as a guide.
2. Insert and tighten the 4 flathead, self-tapping Phillips screws to secure the cover.

Materials

Base and cover: ABS
Screws: Steel, Black Finish (SB)

Standard Colors

Medium gray, black; glossy finish

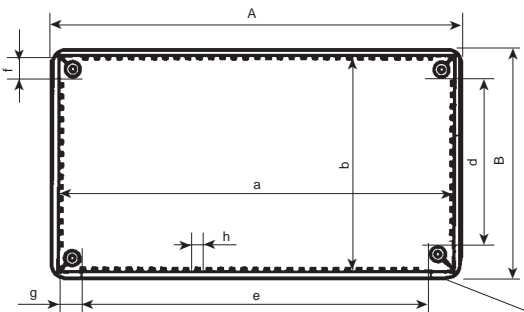


Ordering Information

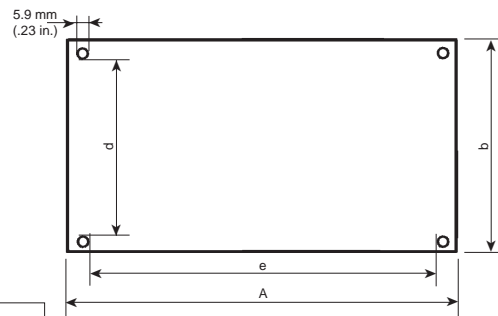
External Dimensions mm (in.) and Special Notes

Type	Cat. No.	Std. Pk.	A	B	C	D
	Med. Gray	Black				
TC2-COF/1	94.021	94.025	100.0 (3.94)	55.0 (2.16)	29.0 (1.14)	25.0 (.98)
TC2-COF/2	94.022	94.026	125.0 (4.92)	70.0 (2.76)	39.0 (1.54)	35.0 (1.38)
TC2-COF/3	94.023	94.027	160.0 (6.30)	95.0 (3.74)	49.0 (1.93)	45.0 (1.77)
TC2-COF/4	94.024	94.028	215.0 (8.46)	130.0 (5.12)	69.0 (2.72)	65.0 (2.56)

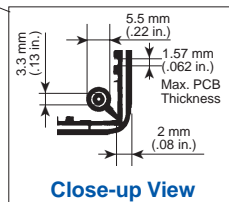
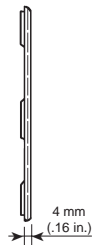
Color Selection: Medium Gray [M|G] or Black [B|K]



Base Top View



Cover



Close-up View



Side View

Number of PCB Guides and Mounting Studs

Type	Guides		Studs	
	A	B	Base	Cover
TC2-COF/1	23	9	—	—
TC2-COF/2	29	13	—	—
TC2-COF/3	39	21	—	—
TC2-COF/4	55	31	—	—

Guides column refers to external sides A and B.

Internal Dimensions mm (in.)

Type	a	b	c	d	e	f	g	h
TC2-COF/1	96.0 (3.78)	51.0 (2.01)	24.5 (.96)	35.0 (1.38)	80.0 (3.15)	8.0 (0.31)	6.0 (0.24)	3.5 (0.14)
TC2-COF/2	121.0 (4.76)	66.0 (2.60)	34.5 (1.36)	50.0 (1.97)	105.0 (4.13)	9.0 (0.35)	8.4 (0.33)	3.5 (0.14)
TC2-COF/3	156.0 (6.14)	91.0 (3.58)	44.5 (1.75)	75.0 (2.95)	140.0 (5.51)	8.0 (0.31)	8.0 (0.31)	3.5 (0.14)
TC2-COF/4	201.0 (7.91)	126.0 (4.96)	64.5 (2.54)	110.0 (4.33)	195.0 (7.68)	7.3 (0.29)	7.3 (0.29)	3.5 (0.14)

Please see page 84 for information on screws.

Please see page 82 for information on accessories.

Please see page 5 for information on packaging.

Top Cover - TC3

It has square corners, a cover and an aluminum panel. The base walls have integral Printed Circuit Board (PCB) guides. Both the base and cover have a recessed area to hold the aluminum panel, if you choose to use it. If you use the panel on the cover, the screws will be inaccessible.

Each Kit Includes

Base	Cover	Panel	Screws
1	1	1	4-SC11

Assembly

1. Place the cover on the mounting posts in the base.
2. Insert and tighten the 4 panhead, self-tapping Phillips screws to secure the cover.
3. If desired, put the panel in the cover's or the base's recess.

Materials

Base and cover: ABS
 Panel: Aluminum (AL)
 Screws: Steel, Nickel Plated (SP)

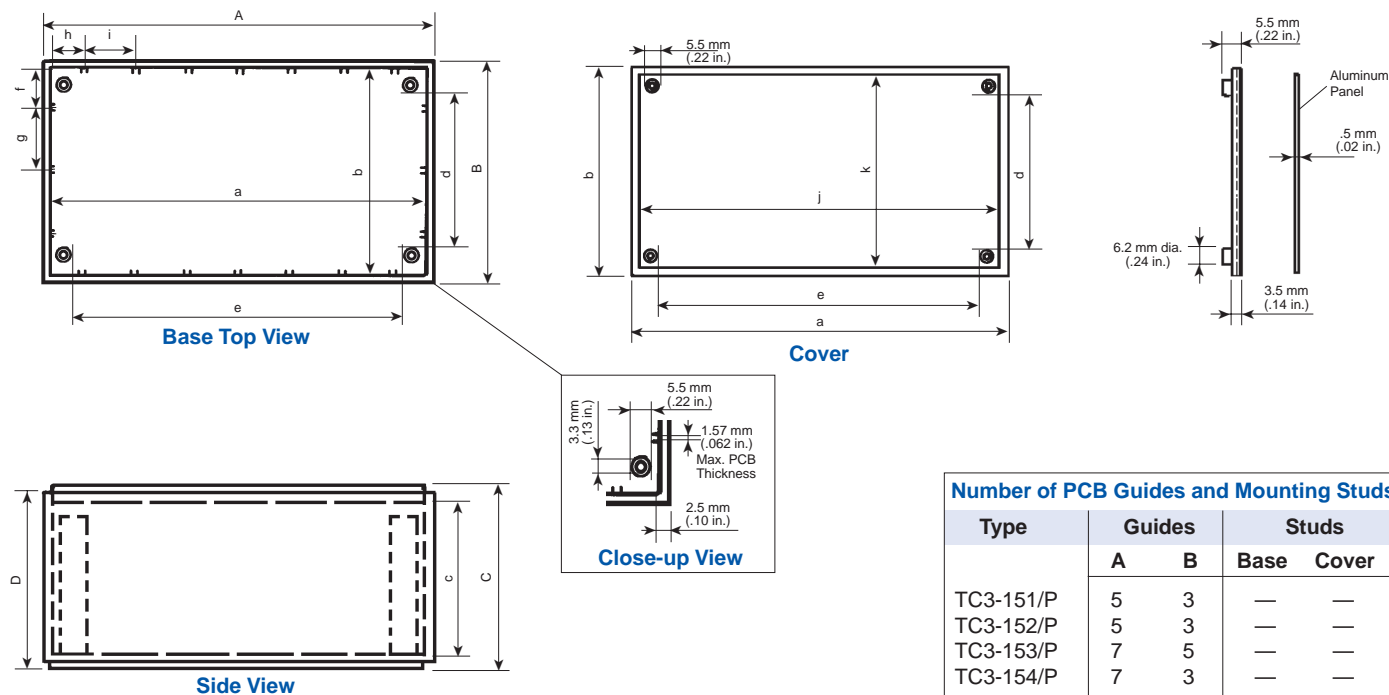
Standard Colors

Black; glossy finish

Ordering Information

External Dimensions mm (in.) and Special Notes

Type	Cat. No.	Std. Pk.	A	B	C	D
TC3-151/PBK	94.017	5	85.0 (3.35)	55.0 (2.17)	37.0 (1.46)	35.5 (1.38)
TC3-152/PBK	94.018	1	110.0 (4.33)	70.0 (2.76)	50.0 (1.97)	49.0 (1.93)
TC3-153/PBK	94.019	1	160.0 (6.30)	96.0 (3.78)	62.0 (2.44)	61.0 (2.40)
TC3-154/PBK	94.020	1	215.0 (8.46)	130.0 (5.12)	78.0 (3.07)	77.0 (3.03)



Number of PCB Guides and Mounting Studs

Type	Guides		Studs	
	A	B	Base	Cover
TC3-151/P	5	3	—	—
TC3-152/P	5	3	—	—
TC3-153/P	7	5	—	—
TC3-154/P	7	3	—	—

Guides column refers to external sides A and B.

Internal Dimensions mm (in.)

Type	a	b	c	d	e	f	g	h	i	j	k
TC3-151/P	81.0 (3.19)	51.0 (2.01)	27.0 (1.06)	38.0 (1.50)	67.0 (2.64)	10.5 (0.41)	15.0 (0.59)	10.5 (0.41)	15.0 (0.59)	77.0 (3.03)	47.0 (1.85)
TC3-152/P	105.0 (4.13)	65.0 (2.56)	40.0 (1.57)	49.0 (1.93)	89.0 (3.50)	12.5 (0.49)	20.0 (0.79)	12.5 (0.49)	20.0 (0.79)	101.0 (3.98)	61.0 (2.40)
TC3-153/P	155.0 (6.10)	91.0 (3.58)	51.5 (2.03)	77.0 (3.03)	141.0 (5.55)	12.5 (0.49)	16.5 (0.65)	13.0 (0.51)	21.5 (0.85)	151.0 (5.94)	87.0 (3.43)
TC3-154/P	210.0 (8.27)	125.0 (4.92)	67.5 (2.66)	109.0 (4.29)	195.0 (7.68)	34.5 (1.36)	28.0 (1.10)	10.5 (0.41)	31.5 (1.24)	206.0 (8.11)	121.0 (4.76)

Please see page 84 for information on screws.

Please see page 82 for information on accessories.

Please see page 5 for information on packaging.

Top Cover - TC4

It has a two-tone color scheme, square corners and integral Printed Circuit Board (PCB) guides. The cover has 4 integral PCB mounting studs and countersunk screw holes.

Each Kit Includes

Base	Cover	Panel	Screws
1	1	—	4-SC1

Assembly

1. Place the cover on the base rim, using the flange in the cover as a guide.
2. Insert and tighten the 4 flathead, self-tapping Phillips screws to secure the cover.

Materials

Base and cover: ABS
Screws: Steel, Black Finish (SB)

Standard Colors

Base: Dark gray or black; glossy finish
Cover: Light gray; glossy finish

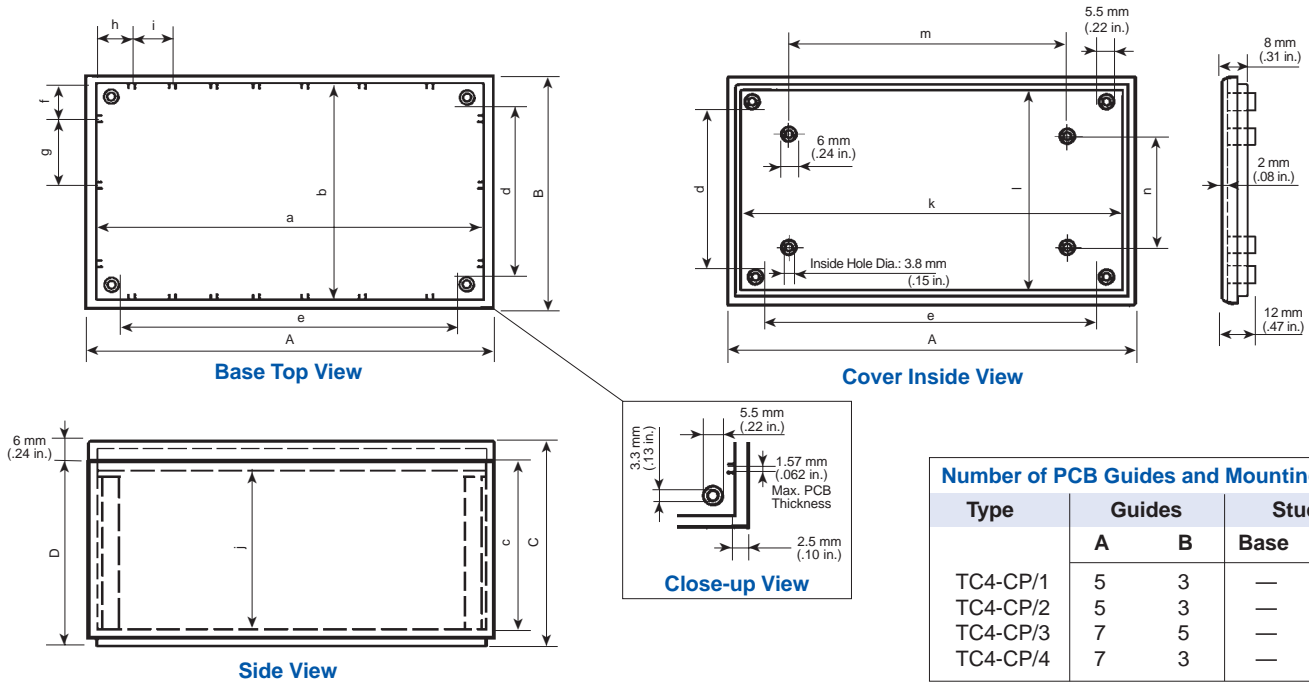


Ordering Information

External Dimensions mm (in.) and Special Notes

Type	Cat. No.		Std. Pk.	A	B	C	D
	Dk. Gray	Black					
TC4-CP/1	94.009	94.013	5	85.0 (3.35)	56.0 (2.20)	42.0 (1.65)	36.0 (1.42)
TC4-CP/2	94.010	94.014	1	110.0 (4.33)	70.0 (2.76)	54.0 (2.13)	49.0 (1.93)
TC4-CP/3	94.011	94.015	1	160.0 (6.30)	96.0 (3.78)	67.0 (2.64)	61.0 (2.40)
TC4-CP/4	94.012	94.016	1	215.0 (8.46)	130.0 (5.12)	83.0 (3.27)	77.0 (3.03)

Base Color Selection: Dark Gray [D] [G] or Black [B] [K]



Number of PCB Guides and Mounting Studs

Type	Guides		Studs	
	A	B	Base	Cover
TC4-CP/1	5	3	—	4
TC4-CP/2	5	3	—	4
TC4-CP/3	7	5	—	4
TC4-CP/4	7	3	—	4

Guides column refers to external sides A and B.

Internal Dimensions mm (in.)

Type	a	b	c	d	e	f	g	h	i	j	k	l	m	n
TC4-CP/1	81.0 (3.19)	51.0 (2.01)	37.0 (1.46)	38.0 (1.50)	67.0 (2.64)	10.5 (0.41)	15.0 (0.59)	10.5 (0.41)	15.0 (0.59)	31.0 (1.22)	78.0 (3.07)	49.0 (1.93)	51.0 (2.01)	27.0 (1.06)
TC4-CP/2	105.0 (4.13)	65.0 (2.56)	50.0 (1.97)	49.0 (1.93)	89.0 (3.50)	12.5 (0.49)	20.0 (0.79)	12.5 (0.49)	20.0 (0.79)	44.0 (1.73)	103.0 (4.06)	63.0 (2.48)	66.5 (2.62)	31.0 (1.22)
TC4-CP-3	155.0 (6.10)	91.0 (3.58)	61.0 (2.40)	77.0 (3.03)	141.0 (5.55)	12.5 (0.49)	16.5 (0.65)	13.0 (0.51)	21.5 (0.85)	55.0 (2.17)	152.0 (5.98)	88.0 (3.46)	100.5 (3.96)	46.0 (1.81)
T4C-CP/4	210.0 (8.27)	125.0 (4.92)	77.0 (3.03)	109.0 (4.29)	195.0 (7.68)	34.5 (1.36)	28.0 (1.10)	10.5 (0.41)	31.5 (1.24)	71.0 (2.80)	206.0 (8.11)	12.1 (0.48)	128.0 (5.04)	66.0 (2.60)

Please see page 84 for information on screws.

Please see page 82 for information on accessories.

Please see page 5 for information on packaging.

Top Cover - TC5

It has rounded corners and a silk screenable cover plate. The base walls have integral Printed Circuit Board (PCB) guides in a high density configuration. The cover plate is recessed 1.4 mm (.06 in.).

Each Kit Includes

Base	Cover	Panel	Screws
1	1	—	4-SC11

Assembly

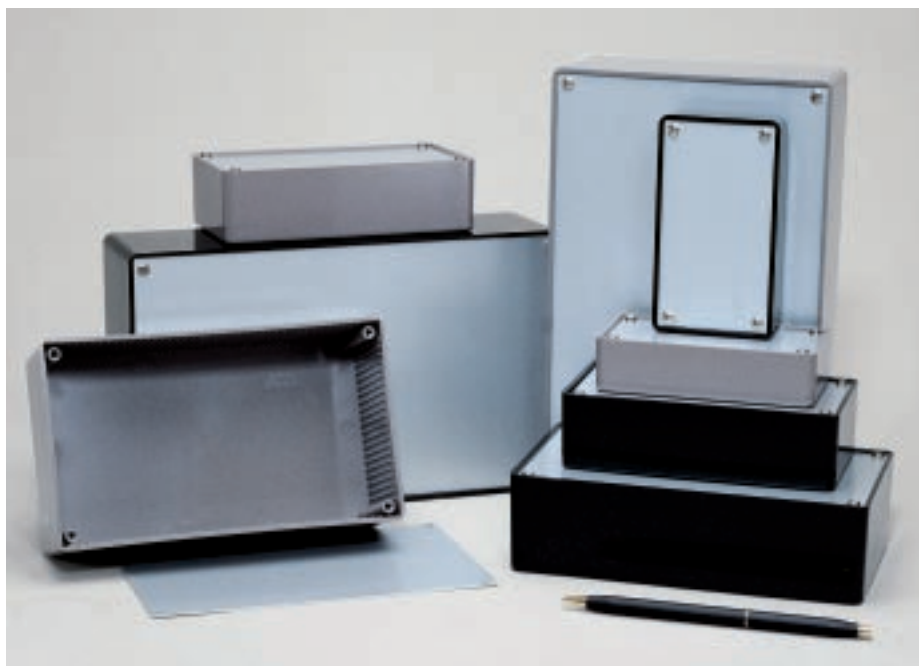
1. Place the cover plate on the mounting posts inside the base.
2. Insert and tighten the 4 panhead, self-tapping Phillips screws to secure the cover.

Materials

Base: ABS
 Cover plate: Aluminum (AL)
 Screws: Steel, Nickel Plated (SP)

Standard Colors

Medium gray, black; glossy finish

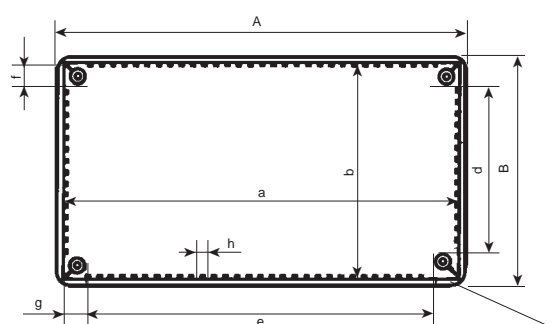


Ordering Information

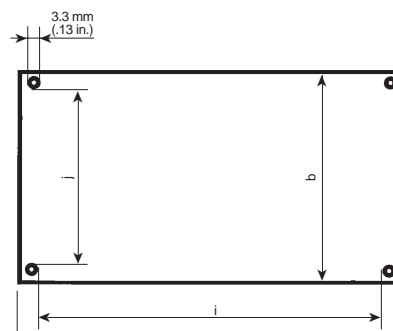
External Dimensions mm (in.) and Special Notes

Type	Cat. No.		Std. Pk.	External Dimensions mm (in.)		
	Med. Gray	Black		A	B	C
TC5-COFA/5	94.029	94.033	5	100.0 (3.94)	55.0 (2.17)	25.0 (.98)
TC5-COFA/6	94.030	94.034	1	125.0 (4.72)	70.0 (2.76)	35.0 (1.38)
TC5-COFA/7	94.031	94.035	1	160.0 (6.30)	95.0 (3.74)	45.0 (1.77)
TC5-COFA/8	94.032	94.036	1	215.0 (8.46)	130.0 (5.12)	65.0 (2.56)

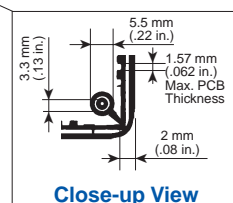
Color Selection: Medium Gray **[M][G]** or Black **[B][K]**



Base Top View



Cover Plate



Close-up View



Side View

Number of PCB Guides and Mounting Studs

Type	Guides		Studs	
	A	B	Base	Cover
TC5-COFA/5	23	9	—	—
TC5-COFA/6	29	13	—	—
TC5-COFA/7	39	21	—	—
TC5-COFA/8	55	31	—	—

Guides column refers to external sides A and B.

Internal Dimensions mm (in.)

Type	a	b	c	d	e	f	g	h	i	j
TC5-COFA/5	96.0 (3.78)	51.0 (2.01)	20.5 (.81)	35.0 (1.38)	80.0 (3.15)	8.0 (0.315)	6.0 (0.24)	3.5 (0.14)	82.6 (3.25)	37.5 (1.48)
TC5-COFA/6	121.0 (4.76)	66.0 (2.60)	30.5 (1.20)	50.0 (1.97)	105.0 (4.13)	9.0 (0.35)	8.4 (0.33)	3.5 (0.14)	108.0 (4.25)	53.3 (2.10)
TC5-COFA/7	156.0 (6.14)	91.0 (3.58)	40.0 (1.57)	75.0 (2.95)	140.0 (5.51)	8.0 (0.31)	8.0 (0.31)	3.5 (0.14)	141.8 (5.58)	78.8 (3.10)
TC5-COFA/8	201.0 (7.91)	126.0 (4.96)	60.0 (2.36)	110.0 (4.33)	195.0 (7.68)	7.3 (0.29)	7.3 (0.29)	3.5 (0.14)	197.0 (7.76)	113.0 (4.45)

Please see page 84 for information on screws.

Please see page 82 for information on accessories.

Please see page 5 for information on packaging.

Top Cover - TC6

It has rounded corners and a transparent cover that protects the recessed, silk screenable panel. The base walls have integral Printed Circuit Board (PCB) guides in a high density configuration.

Each Kit Includes

Base	Cover	Panel	Screws
1	1	1	4-SC1

Assembly

1. If desired, put the panel on the mounting posts in the base.
2. Place the cover on the base rim using the flange in the cover as a guide.
3. Insert and tighten the 4 flathead, self-tapping Phillips screws to secure the cover.

Materials

Base: ABS
 Cover: Polycarbonate (PC)
 Panel: Anodized Aluminum (AA)
 Screws: Steel, Nickel Plated (SP)

Standard Colors

Medium gray, black; glossy finish

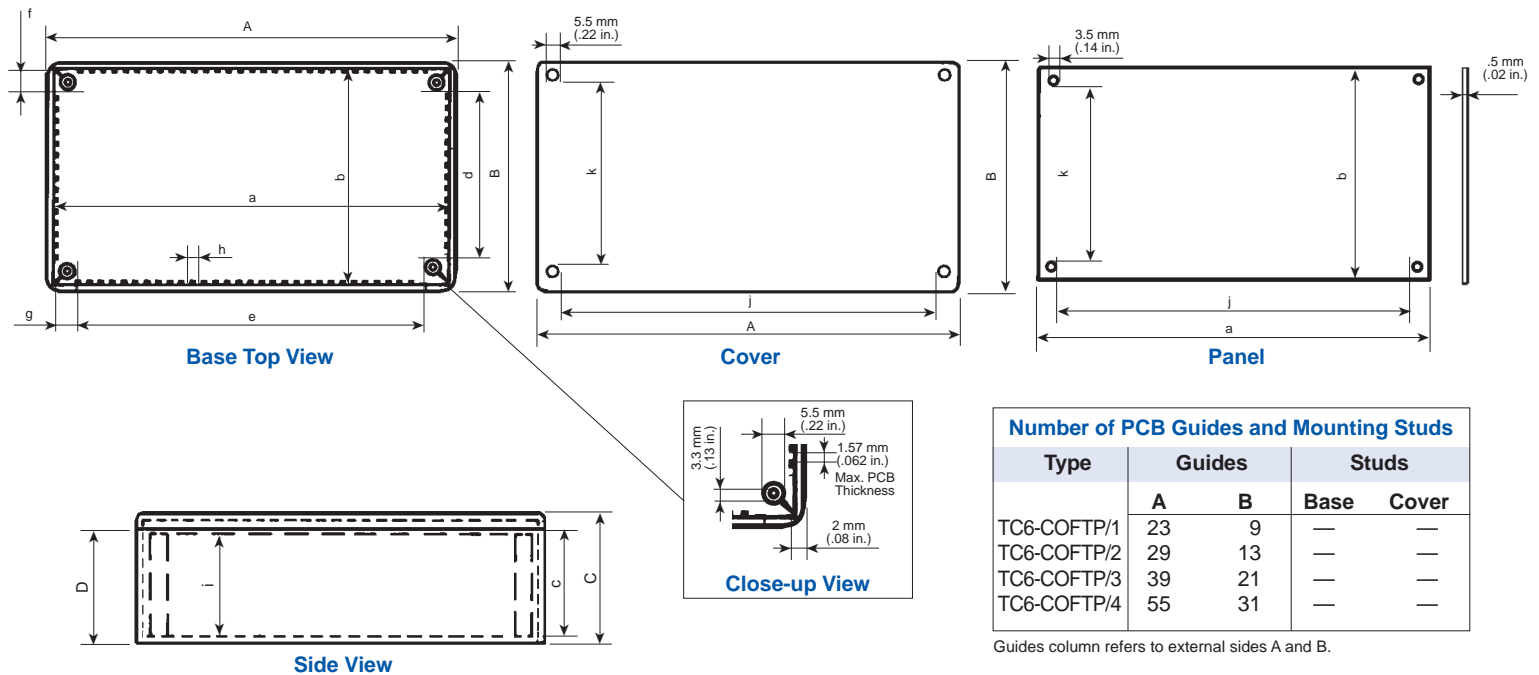


Ordering Information

External Dimensions mm (in.) and Special Notes

Type	Cat. No.		Std. Pk.	A	B	C	D
	Med. Gray	Black					
TC6-COFTP/1	94.037	94.041	5	100.0 (3.94)	55.0 (2.17)	29.0 (1.14)	25.0 (.98)
TC6-COFTP/2	94.038	94.042	1	125.0 (4.72)	70.0 (2.76)	39.0 (1.54)	35.0 (1.38)
TC6-COFTP/3	94.039	94.043	1	160.0 (6.30)	95.0 (3.74)	49.0 (1.93)	45.0 (1.77)
TC6-COFTP/4	94.040	94.044	1	215.0 (8.46)	130.0 (5.12)	69.0 (2.72)	65.0 (2.56)

Color Selection: Medium Gray **M|G** or Black **B|K**



Number of PCB Guides and Mounting Studs

Type	Guides		Studs	
	A	B	Base	Cover
TC6-COFTP/1	23	9	—	—
TC6-COFTP/2	29	13	—	—
TC6-COFTP/3	39	21	—	—
TC6-COFTP/4	55	31	—	—

Guides column refers to external sides A and B.

Internal Dimensions mm (in.)

Type	a	b	c	d	e	f	g	h	i	j	k
TC6-COFTP/1	96.0 (3.78)	51.0 (2.01)	24.5 (0.96)	35.0 (1.38)	80.0 (3.15)	8.0 (0.31)	6.0 (0.24)	3.5 (0.14)	20.5 (0.81)	82.6 (3.25)	37.5 (1.48)
TC6-COFTP/2	121.0 (4.76)	66.0 (2.60)	34.5 (1.36)	50.0 (1.97)	105.0 (4.13)	9.0 (0.35)	8.4 (0.33)	3.5 (0.14)	30.5 (1.20)	108.0 (4.25)	53.3 (2.10)
TC6-COFTP/3	156.0 (6.14)	91.0 (3.58)	44.5 (1.75)	75.0 (2.95)	140.0 (5.51)	8.0 (0.31)	8.0 (0.31)	3.5 (0.14)	40.0 (1.57)	141.8 (5.58)	78.8 (3.10)
TC6-COFTP/4	201.0 (7.91)	126.0 (4.96)	64.5 (2.54)	110.0 (4.33)	195.0 (7.68)	7.3 (0.29)	7.3 (0.29)	3.5 (0.14)	60.0 (2.36)	197.0 (7.76)	113.0 (4.45)

Please see page 84 for information on screws.

Please see page 82 for information on accessories.

Please see page 5 for information on packaging.

Top Cover - TC7

It has two snap together halfshells (one base/one cover) in either a solid or a two-tone color configuration. The base walls have integral Printed Circuit Board (PCB) guides. The base bottom has integral PCB mounting studs and there are knockouts for horizontal or vertical wall mounting. Stand off feet are under the base.

Each Kit Includes

Base	Cover	Panel	Screws
1	1	—	—

Assembly

1. Snap the cover onto the base; no screws are required.

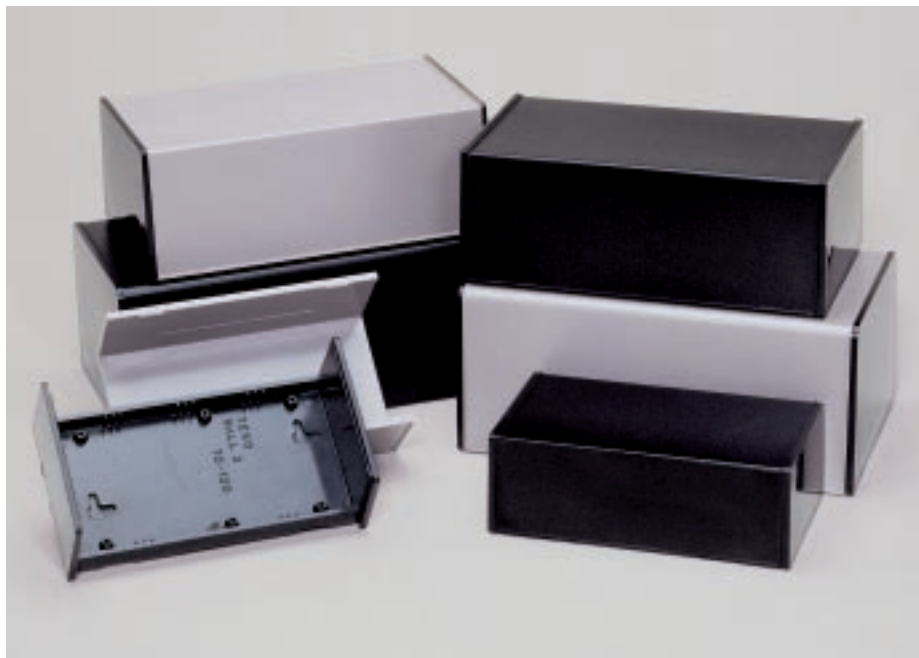
Materials

Base and cover: ABS

Standard Colors

Base: Black; glossy finish

Cover: Medium gray, black; matte finish

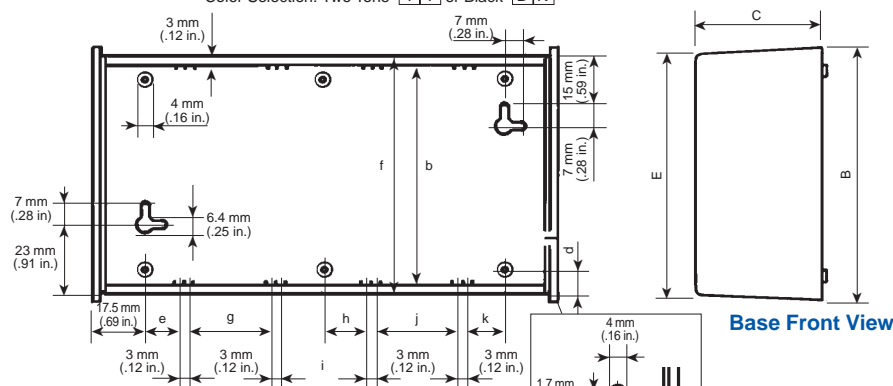


Ordering Information

External Dimensions mm (in.) and Special Notes

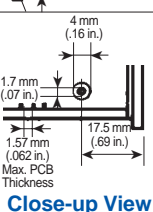
Type	Cat. No.		Std. Pk.	A	B	C	D	E
	Two Tone	Black						
TC7-WALL2	94.047	94.050	5	122.5 (4.82)	69.5 (2.74)	42.0 (1.65)	116.0 (4.57)	66.0 (2.60)
TC7-WALL3	94.048	94.051	1	154.5 (6.08)	85.0 (3.35)	57.5 (2.26)	148.5 (5.85)	80.0 (3.15)
TC7-WALL4	94.049	94.052	1	170.0 (6.69)	99.5 (3.92)	72.5 (2.85)	163.5 (6.44)	93.0 (3.66)

Color Selection: Two Tone **TT** or Black **BK**



Base Top View

Base Front View

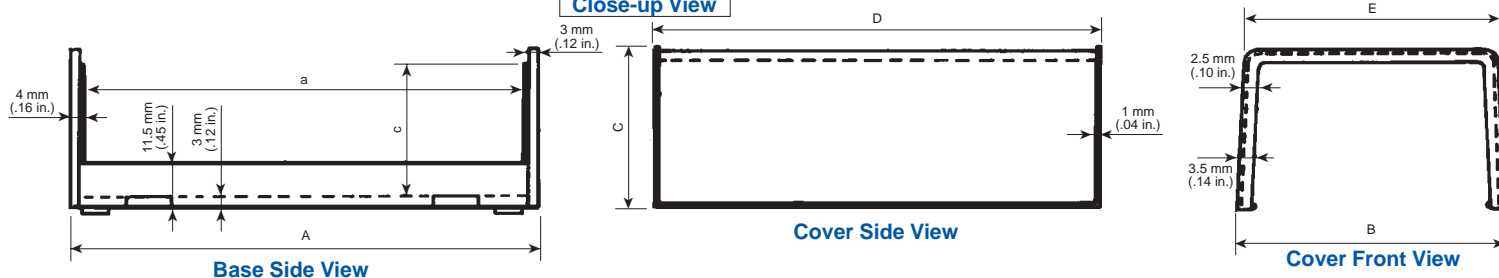


Close-up View

Number of PCB Guides and Mounting Studs

Type	Guides	Studs	
		Base	Cover
TC7-WALL2	6	6	—
TC7-WALL3	8	6	—
TC7-WALL4	8	6	—

Guides column refers to external side A.



Base Side View

Cover Side View

Cover Front View

Internal Dimensions mm (in.)

Type	a	b	c	d	e	f	g	h	i	j	k
TC7-WALL2	114.5 (4.51)	57.0 (2.24)	35.0 (1.38)	7.5 (0.30)	13.0 (0.51)	63.0 (2.48)	26.5 (1.04)	19.5 (0.77)	26.5 (1.04)	27.5 (1.08)	13.0 (0.51)
TC7-WALL3	147.0 (5.79)	73.0 (2.87)	50.5 (1.99)	7.5 (0.30)	11.5 (0.45)	79.0 (3.11)	27.5 (1.08)	14.5 (0.57)	27.5 (1.08)	35.0 (1.38)	12.5 (0.49)
TC7-WALL4	162.0 (6.38)	87.0 (3.43)	65.5 (2.58)	9.0 (0.35)	9.0 (0.35)	93.0 (3.66)	35.0 (1.38)	17.5 (0.69)	35.0 (1.38)	—	8.5 (0.33)

Please see page 84 for information on screws.

Please see page 82 for information on accessories.

Please see page 5 for information on packaging.