

PCB Plug-In Connectors

5.08 mm Pin Spacing

- Plug Vertical
- 12A Current Rating
- Wire Entry on Rippled Side



SVPxx-5,08

Electrical Ratings

Usergroup	B	C	D	-
Rated Voltage	300V	-	300V	250V
Rated Current	12A	-	12A	12A
Wire Size	<i>solid</i> 30-14AWG <i>stranded</i> 30-14AWG	-	30-14AWG 30-14AWG	0.25mm ² -2.5mm ² 0.25mm ² -2.5mm ²

UL
E178356

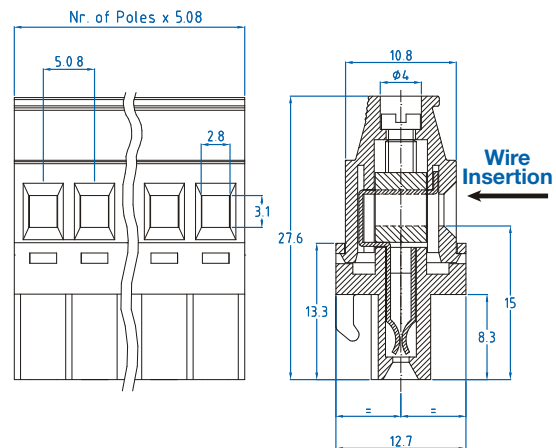
IEC

VDE

Ordering Information (5.08 mm Spacing)

No. Poles	Order #	Length (mm)	Std. Pack
2	SVP02-5,08	10.16	100
3	SVP03-5,08	15.24	100
4	SVP04-5,08	20.32	50
5	SVP05-5,08	25.40	50
6	SVP06-5,08	30.48	50
7	SVP07-5,08	35.56	50
8	SVP08-5,08	40.64	50
9	SVP09-5,08	45.72	50
10	SVP10-5,08	50.80	50
11	SVP11-5,08	55.88	50
12	SVP12-5,08	60.96	50
13	SVP13-5,08	66.04	20
14	SVP14-5,08	71.12	20
15	SVP15-5,08	76.20	20
16	SVP16-5,08	81.28	20
17	SVP17-5,08	86.36	20
18	SVP18-5,08	91.44	20
19	SVP19-5,08	96.52	20
20	SVP20-5,08	101.60	20
21	SVP21-5,08	106.68	20
22	SVP22-5,08	111.76	20
23	SVP23-5,08	116.84	20
24	SVP24-5,08	121.92	20

Dimensions (mm)



Material Specifications

Screws	Galvanized Steel
Clamp	Nickel Copper Alloy
Contact Spring	Nickel Copper Alloy
Insulating Material	Polyamide
Flammability Class	V0 UL94
Operating Temperature	-30°C - +105°C

Installation Data

Screw Size	M3
Torque	0.5Nm (4.5 lb.in.)
Stripping Length	max. 9mm
Clamp Opening	2.5 x 3.1 mm

Mating Headers

PVPxx-5,08 PHPxx-5,08 PVxx-5,08 PHxx-5,08