

PCB Plug-In Connectors

3.50 mm Pin Spacing



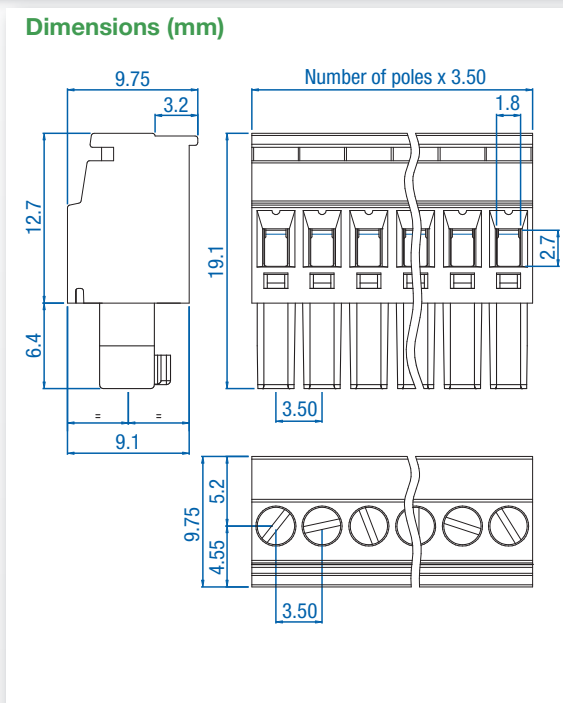
SVPxx-3,50

- Vertical Plug
- 11A Current Rating
- Wire Entry on Rippled Side

Electrical Ratings		UL US E178356			IEC	VDE
Usergroup		B	C	D	-	
Rated Voltage		300V	-	300V	160V	
Rated Current		11A	-	11A	8A	
Wire Size	<i>solid</i>	30-14AWG	-	30-14AWG	0.25mm ² -1.5mm ²	
	<i>stranded</i>	30-14AWG	-	30-14AWG	0.25mm ² -1.5mm ²	

Ordering Information (3.50 mm Spacing)

No. Poles	Order #	Length (mm)	Std. Pack
2	SVP02-3,50	7.0	100
3	SVP03-3,50	10.5	100
4	SVP04-3,50	14.0	50
5	SVP05-3,50	17.5	50
6	SVP06-3,50	21.0	50
7	SVP07-3,50	24.6	50
8	SVP08-3,50	28.0	50
9	SVP09-3,50	31.5	50
10	SVP10-3,50	35.0	50
11	SVP11-3,50	38.5	50
12	SVP12-3,50	42.0	50
13	SVP13-3,50	45.5	20
14	SVP14-3,50	49.0	20
15	SVP15-3,50	52.5	20
16	SVP16-3,50	56.0	20
17	SVP17-3,50	59.5	20
18	SVP18-3,50	63.0	20
19	SVP19-3,50	66.5	20
20	SVP20-3,50	70.0	20
21	SVP21-3,50	73.5	20
22	SVP22-3,50	77.0	20
23	SVP23-3,50	81.5	20
24	SVP24-3,50	84.0	20



Material Specifications

Screws	Galvanized Steel
Clamp	Nickel Copper Alloy
Contact Spring	Nickel Copper Alloy
Insulating Material	Polyamide
Flammability Class	V0 UL94
Operating Temperature	-30°C - +105°C

Installation Data

Screw Size	M2
Torque	0.25Nm (2.3 lb.in.)
Stripping Length	max. 7mm
Clamp Opening	1.8 x 2.7 mm

Mating Headers

Single Row			
PVPxx-3,50	PHPxx-3,50	PVxx-3,50	PHxx-3,50
Double Row			
PDVxx-3,50-V-M	PDVxx-3,50-H-M		
PDVxx-3,50-V-P	PDVxx-3,50-H-P		