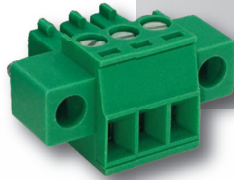


# PCB Plug-In Connectors

## 3.50 mm Pin Spacing

- Horizontal Plug
- 11A Current Rating
- Screw Flange



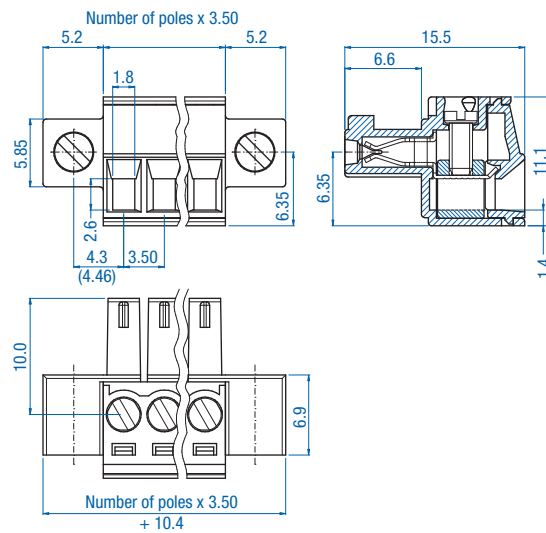
# SHxx-3,50-K

Electrical Ratings		UL US E178356			IEC	VDE
Usergroup		B	C	D	-	
Rated Voltage		300V	-	300V	160V	
Rated Current		11A	-	11A	8A	
Wire Size	<i>solid</i>	30-14AWG	-	30-14AWG	0.25mm <sup>2</sup> -1.5mm <sup>2</sup>	
	<i>stranded</i>	30-14AWG	-	30-14AWG	0.25mm <sup>2</sup> -1.5mm <sup>2</sup>	

### Ordering Information (3.50 mm Spacing)

No. Poles	Order #	Length (mm)	Std. Pack
2	SH02-3,50-K	17.4	100
3	SH03-3,50-K	20.9	100
4	SH04-3,50-K	24.4	50
5	SH05-3,50-K	27.9	50
6	SH06-3,50-K	31.4	50
7	SH07-3,50-K	34.9	50
8	SH08-3,50-K	38.4	50
9	SH09-3,50-K	41.9	50
10	SH10-3,50-K	45.4	50
11	SH11-3,50-K	48.9	50
12	SH12-3,50-K	52.4	50
13	SH13-3,50-K	55.9	20
14	SH14-3,50-K	59.4	20
15	SH15-3,50-K	62.9	20
16	SH16-3,50-K	66.4	20
17	SH17-3,50-K	69.9	20
18	SH18-3,50-K	73.4	20
19	SH19-3,50-K	76.9	20
20	SH20-3,50-K	80.4	20
21	SH21-3,50-K	83.9	20
22	SH22-3,50-K	87.4	20
23	SH23-3,50-K	91.9	20
24	SH24-3,50-K	94.4	20

### Dimensions (mm)



### Material Specifications

Screws	Galvanized Steel
Clamp	Nickel Copper Alloy
Contact Spring	Nickel Copper Alloy
Insulating Material	Polyamide
Flammability Class	V0 UL94
Operating Temperature	-30°C - +105°C

### Installation Data

Screw Size	M2 (terminal), M2.5 (flange)
Torque	0.25Nm (2.3 lb.in.)
Stripping Length	max. 8mm
Clamp Opening	1.8 x 2.6 mm

### Mating Headers

#### Single Row

PVxx-3,50-K      PHxx-3,50-K

#### Double Row

PDVxx-3,50-V-K      PDVxx-3,50-H-K