

PCB Plug-In Header

3.50 mm Pin Spacing

- Horizontal Header
- 11A Current Rating
- Open Ends

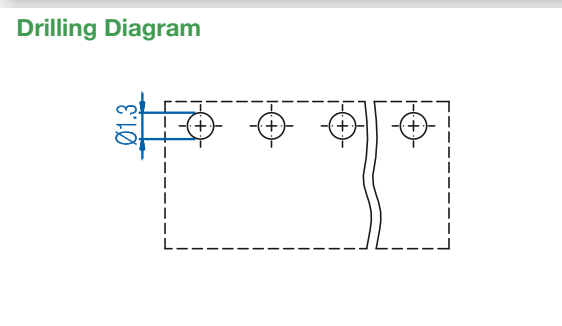
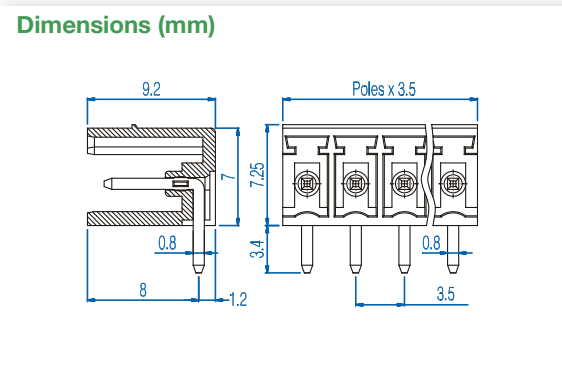


PHxx-3,50

Electrical Ratings		UL US E178356		IEC		VDE	
Usergroup	B	C	D	-			
Rated Voltage	300V	-	300V	160V			
Rated Current	11A	-	11A	8A			
Wire Size	<i>solid</i>	-	-	-			
	<i>stranded</i>	-	-	-			

Ordering Information (3.50 mm Spacing)

No. Poles	Order #	Length (mm)	Std. Pack
2	PH02-3,50	7.0	100
3	PH03-3,50	10.5	100
4	PH04-3,50	14.0	50
5	PH05-3,50	17.5	50
6	PH06-3,50	21.0	50
7	PH07-3,50	24.5	50
8	PH08-3,50	28.0	50
9	PH09-3,50	31.5	50
10	PH10-3,50	35.0	50
11	PH11-3,50	38.5	50
12	PH12-3,50	42.0	50
13	PH13-3,50	45.5	20
14	PH14-3,50	49.0	20
15	PH15-3,50	52.5	20
16	PH16-3,50	56.0	20
17	PH17-3,50	59.5	20
18	PH18-3,50	63.0	20
19	PH19-3,50	66.5	20
20	PH20-3,50	70.0	20
21	PH21-3,50	73.5	20
22	PH22-3,50	77.0	20
23	PH23-3,50	81.5	20
24	PH24-3,50	84.0	20



Material Specifications

Solder Tab	Tin-Plated Copper Alloy
Insulating Material	Polyamide
Flammability Class	V0 UL94
Operating Temperature	-30°C - +105°C

Installation Data

PCB Hole Size	1.3 mm
---------------	--------

Mating Plugs

SHxx-3,50	SVFxx-3,50	SVPxx-3,50
-----------	------------	------------