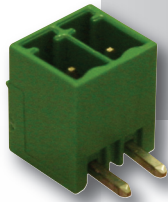


PCB Plug-In Header

3.50 mm Pin Spacing

- Horizontal Header
- 11A Current Rating
- Closed Ends

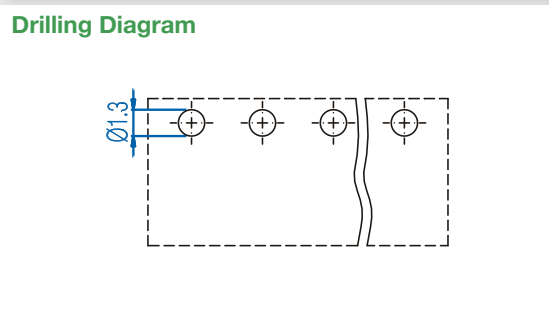
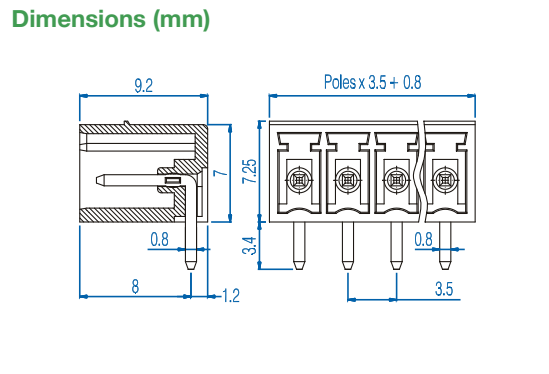


PHPxx-3,50

Electrical Ratings		UL US E178356		IEC		VDE	
Usergroup	B	C	D	-	-	-	-
Rated Voltage	300V	-	300V	160V			
Rated Current	11A	-	11A	8A			
Wire Size	<i>solid</i>	-	-	-			
	<i>stranded</i>	-	-	-			

Ordering Information (3.50 mm Spacing)

No. Poles	Order #	Length (mm)	Std. Pack
2	PHP02-3,50	7.8	100
3	PHP03-3,50	11.3	100
4	PHP04-3,50	14.8	50
5	PHP05-3,50	18.3	50
6	PHP06-3,50	21.8	50
7	PHP07-3,50	25.3	50
8	PHP08-3,50	28.8	50
9	PHP09-3,50	32.3	50
10	PHP10-3,50	35.8	50
11	PHP11-3,50	39.3	50
12	PHP12-3,50	42.8	50
13	PHP13-3,50	46.3	20
14	PHP14-3,50	49.8	20
15	PHP15-3,50	53.3	20
16	PHP16-3,50	56.8	20
17	PHP17-3,50	60.3	20
18	PHP18-3,50	63.8	20
19	PHP19-3,50	67.3	20
20	PHP20-3,50	70.8	20
21	PHP21-3,50	74.3	20
22	PHP22-3,50	77.8	20
23	PHP23-3,50	82.3	20
24	PHP24-3,50	84.8	20



Material Specifications

Solder Tab	Tin-Plated Copper Alloy
Insulating Material	Polyamide
Flammability Class	V0 UL94
Operating Temperature	-30°C - +105°C

Installation Data

PCB Hole Size	1.3 mm
---------------	--------

Mating Plugs

SHxx-3,50	SVFxx-3,50	SVPxx-3,50
-----------	------------	------------