

# PCB Plug-In Header

3.81 mm Pin Spacing

- Vertical Header - Double Row
- 11A Current Rating
- Open Ends
- Modular

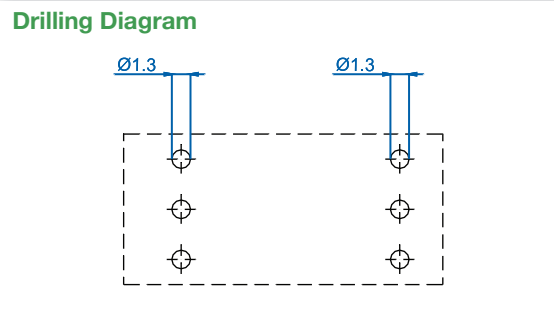
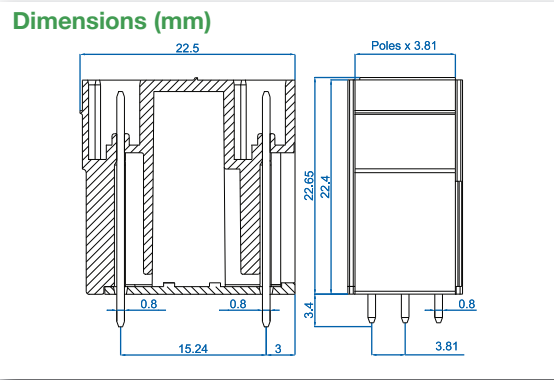


# PDVxx-3,81-V-M

Electrical Ratings			UL E178356	IEC	VDE
Usergroup	B	C	D	-	
Rated Voltage	300V	-	300V	160V	
Rated Current	11A	-	11A	8A	
Wire Size	<i>solid</i>	-	-	-	
	<i>stranded</i>	-	-	-	

## Ordering Information (3.81 mm Spacing)

No. Poles	Order #	Length (mm)	Std. Pack
2	PDV02-3,81-V-M	7.6	100
3	PDV03-3,81-V-M	11.4	100
4	PDV04-3,81-V-M	15.2	50
5	PDV05-3,81-V-M	19.1	50
6	PDV06-3,81-V-M	22.9	50
7	PDV07-3,81-V-M	26.7	50
8	PDV08-3,81-V-M	30.5	50
9	PDV09-3,81-V-M	34.3	50
10	PDV10-3,81-V-M	38.1	50
11	PDV11-3,81-V-M	41.9	50
12	PDV12-3,81-V-M	45.7	50
13	PDV13-3,81-V-M	49.5	20
14	PDV14-3,81-V-M	53.3	20
15	PDV15-3,81-V-M	57.2	20
16	PDV16-3,81-V-M	61.0	20
17	PDV17-3,81-V-M	64.8	20
18	PDV18-3,81-V-M	68.6	20
19	PDV19-3,81-V-M	72.4	20
20	PDV20-3,81-V-M	76.2	20
21	PDV21-3,81-V-M	80.0	20
22	PDV22-3,81-V-M	83.8	20
23	PDV23-3,81-V-M	87.6	20
24	PDV24-3,81-V-M	91.4	20



### Material Specifications

Solder Tab	Tin-Plated Copper Alloy
Insulating Material	Polyamide
Flammability Class	V0 UL94
Operating Temperature	-30°C - +105°C

### Installation Data

PCB Hole Size	1.3 mm
---------------	--------

### Mating Plugs

SHxx-3,81	SVFxx-3,81	SVPxx-3,81
-----------	------------	------------