

PCB Plug-In Header

3.50 mm Pin Spacing

- Horizontal Header - Double Row
- 11A Current Rating
- Screw Flange

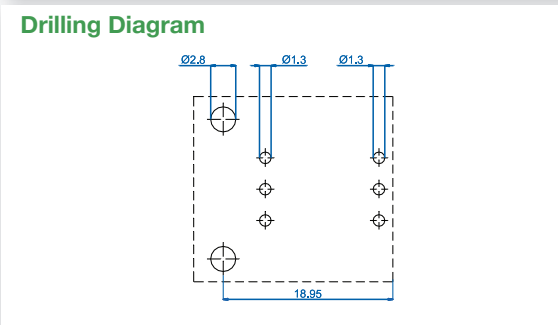
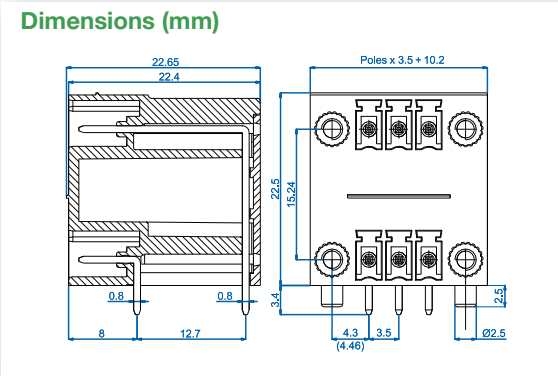


PDVxx-3,50-H-K

Electrical Ratings		UL US E178356		IEC		VDE	
Usergroup	B	C	D	-			
Rated Voltage	300V	-	300V	160V			
Rated Current	11A	-	11A	8A			
Wire Size	<i>solid</i>	-	-	-			
	<i>stranded</i>	-	-	-			

Ordering Information (3.50 mm Spacing)

No. Poles	Order #	Length (mm)	Std. Pack
2	PDV02-3,50-H-K	17.2	100
3	PDV03-3,50-H-K	20.7	100
4	PDV04-3,50-H-K	24.2	50
5	PDV05-3,50-H-K	27.7	50
6	PDV06-3,50-H-K	31.2	50
7	PDV07-3,50-H-K	34.7	50
8	PDV08-3,50-H-K	38.2	50
9	PDV09-3,50-H-K	41.7	50
10	PDV10-3,50-H-K	45.2	50
11	PDV11-3,50-H-K	48.7	50
12	PDV12-3,50-H-K	52.2	50
13	PDV13-3,50-H-K	55.7	20
14	PDV14-3,50-H-K	59.2	20
15	PDV15-3,50-H-K	62.7	20
16	PDV16-3,50-H-K	66.2	20
17	PDV17-3,50-H-K	69.7	20
18	PDV18-3,50-H-K	73.2	20
19	PDV19-3,50-H-K	76.7	20
20	PDV20-3,50-H-K	80.2	20
21	PDV21-3,50-H-K	83.7	20
22	PDV22-3,50-H-K	87.2	20
23	PDV23-3,50-H-K	90.7	20
24	PDV24-3,50-H-K	94.2	20



Material Specifications

Solder Tab	Tin-Plated Copper Alloy
Insulating Material	Polyamide
Flammability Class	V0 UL94
Operating Temperature	-30°C - +105°C

Installation Data

PCB Hole Size	1.3 mm
Flange Thread	M2.5

Mating Plugs

SHxx-3,50-K	SVFxx-3,50-K	SVPxx-3,50-K
-------------	--------------	--------------