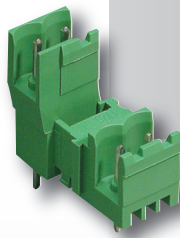


PCB Plug-In Header

5.08 mm Pin Spacing

- Vertical - Double Level Header
- 12A Current Rating
- Open Ends
- Modular



PDSVxx-5,08

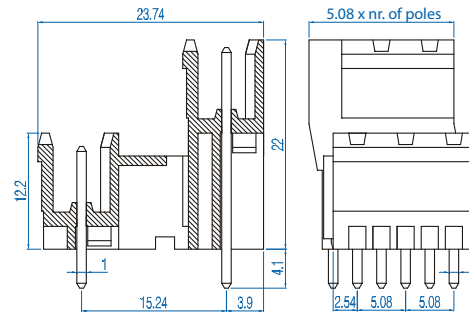
Electrical Ratings

	UL US E178356			IEC VDE	
	B	C	D	-	-
Usergroup	B	C	D	-	-
Rated Voltage	300V	-	300V	250V	-
Rated Current	12A	-	12A	12A	-
Wire Size					
<i>solid</i>	-	-	-	-	-
<i>stranded</i>	-	-	-	-	-

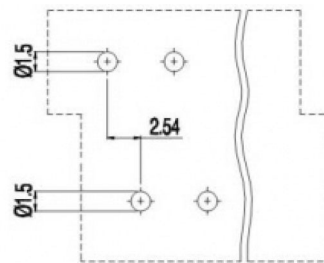
Ordering Information (5.08 mm Spacing)

No. Poles	Order #	Length (mm)	Std. Pack
2	PDSV02-5,08	10.16	100
3	PDSV03-5,08	15.24	100
4	PDSV04-5,08	20.32	50
5	PDSV05-5,08	25.40	50
6	PDSV06-5,08	30.48	50
7	PDSV07-5,08	35.56	50
8	PDSV08-5,08	40.64	50
9	PDSV09-5,08	45.72	50
10	PDSV10-5,08	50.80	50
11	PDSV11-5,08	55.88	50
12	PDSV12-5,08	60.96	50
13	PDSV13-5,08	66.04	20
14	PDSV14-5,08	71.12	20
15	PDSV15-5,08	76.20	20
16	PDSV16-5,08	81.28	20
17	PDSV17-5,08	86.36	20
18	PDSV18-5,08	91.44	20
19	PDSV19-5,08	96.52	20
20	PDSV20-5,08	101.60	20
21	PDSV21-5,08	106.68	20
22	PDSV22-5,08	111.76	20
23	PDSV23-5,08	116.84	20
24	PDSV24-5,08	121.92	20

Dimensions (mm)



Drilling Diagram



Material Specifications

Solder Tab	Tin-Plated Copper Alloy
Insulating Material	Polyamide
Flammability Class	V0 UL94
Operating Temperature	-30°C - +105°C

Installation Data

PCB Hole Size	1.5 mm
---------------	--------

Mating Plugs

SHxx-5,08	SVFxx-5,08	SPVxx-5,08
-----------	------------	------------