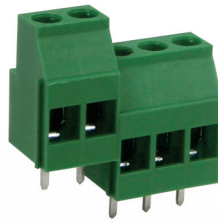


PCB Terminal Block

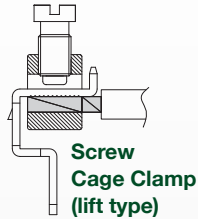
5.00 mm Pin Spacing

- Board Mount PCB
- 20A Current Rating
- Height 18mm
- Modular



MVST25xx-5-V

Front Wire Entry



Electrical Ratings

	UL E178356		IEC N.40019705	
	B	C	D	-
Usergroup	B	C	D	-
Rated Voltage	300V	-	300V	250V
Rated Current	20A	-	20A	24A
Wire Size	<i>solid</i> 24-12 AWG	-	24-12 AWG	0.25mm ² - 4.0mm ²
	<i>stranded</i> 24-12 AWG	-	24-12 AWG	0.25mm ² - 2.5mm ²

Ordering Information

No. Poles	Length (mm)	Std. Pack	Order #
2	10	100	MVST252-5-V
3	15	100	MVST253-5-V
4	20	100	MVST254-5-V
5	25	100	MVST255-5-V
6	30	100	MVST256-5-V
7	35	100	MVST257-5-V
8	40	100	MVST258-5-V
9	45	100	MVST259-5-V
10	50	100	MVST2510-5-V
11	55	100	MVST2511-5-V
12	60	100	MVST2512-5-V

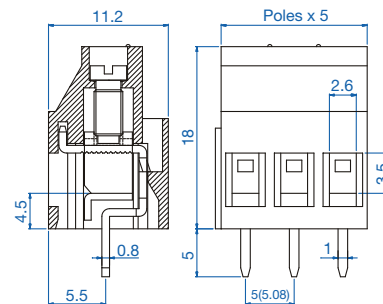
Material Specifications

Clamp	CR3-Plated Steel
Solder tab	Tin-Plated Copper
Screw	Galvanized Steel
Insulating Material	Polyamide
Flammability Class	V0 UL94
Operating Temperature	-30°C - +105°C

Installation Data

Screw Size	M2.5
Torque	0.4 Nm (3.5 lb.in.)
Stripping Length	max. 9mm
Clamp Opening	2.6 x 3.5mm
PCB Hole Size	1.5mm

Dimensions (mm)



Drilling Diagram

