

# PCB Terminal Block

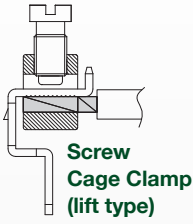
10.16 mm Pin Spacing

- Board Mount PCB
- 18A Current Rating
- Height 19mm
- Modular



# MVSP25xx-10,16-V

Front Wire Entry



## Electrical Ratings

Usergroup	B	C	D	
Rated Voltage	600V	-	600V	750V
Rated Current	18A	-	18A	24A
Wire Size	<i>solid</i> 30-14 AWG <i>stranded</i> 30-14 AWG	-	30-14 AWG	0.25mm <sup>2</sup> - 4.0mm <sup>2</sup> 0.25mm <sup>2</sup> - 2.5mm <sup>2</sup>



## Ordering Information

No. Poles	Length (mm)	Std. Pack	Order #
2	15.24	100	MVSP252-10,16-V
3	25.40	100	MVSP253-10,16-V
4	35.56	100	MVSP254-10,16-V
5	45.72	100	MVSP255-10,16-V
6	55.88	100	MVSP256-10,16-V
7	66.04	100	MVSP257-10,16-V
8	76.20	100	MVSP258-10,16-V
9	86.36	100	MVSP259-10,16-V
10	96.52	100	MVSP2510-10,16-V
11	106.68	100	MVSP2511-10,16-V
12	116.84	100	MVSP2512-10,16-V

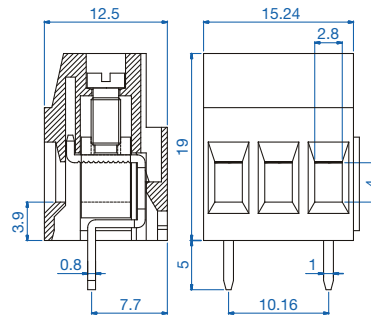
## Material Specifications

Clamp	Nickel-Copper
Solder tab	Tin-Plated Copper
Screw	Galvanized Steel
Insulating Material	Polyamide
Flammability Class	V0 UL94
Operating Temperature	-30°C - +105°C

## Installation Data

Screw Size	M3
Torque	0.8Nm (4.5 lb.in.)
Stripping Length	max. 9.5mm
Clamp Opening	2.8 x 4.0mm
PCB Hole Size	1.5mm

## Dimensions (mm)



## Drilling Diagram

