

## PCB Terminal Block

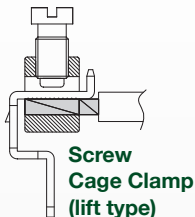
5.00 mm Pin Spacing

- Board Mount PCB
- 17.5A Current Rating
- Height 14.8mm
- Modular



# MVS15xx-5-IT

## 35° Angled Wire Entry



### Electrical Ratings

	Usergroup		IEC		VDE	
	B	C	D		N.40019705	
Rated Voltage	300V	-	300V	-	450V	-
Rated Current	17.5A	-	17.5A	-	17.5A	-
Wire Size	<i>solid</i> 30-16 AWG	-	30-16 AWG	-	0.25mm <sup>2</sup> - 2.5mm <sup>2</sup>	-
	<i>stranded</i> 30-16 AWG	-	30-16 AWG	-	0.25mm <sup>2</sup> - 1.5mm <sup>2</sup>	-

C **UL** US  
E178356

IEC

VDE  
N.40019705

### Ordering Information

No. Poles	Length (mm)	Std. Pack	Order #
2	10	200	MVS-152 (35)
3	15	200	MVS-153 (35)
4	20	100	MVS-154 (35)
5	25	100	MVS-155 (35)
6	30	100	MVS-156 (35)
7	35	100	MVS-157 (35)
8	40	100	MVS-158 (35)
9	45	100	MVS-159 (35)
10	50	100	MVS-1510 (35)
11	55	100	MVS-1511 (35)
12	60	100	MVS-1512 (35)
13	65	50	MVS-1513 (35)
14	70	50	MVS-1514 (35)
15	75	50	MVS-1515 (35)
16	80	50	MVS-1516 (35)
17	85	50	MVS-1517 (35)
18	90	50	MVS-1518 (35)
19	95	50	MVS-1519 (35)
20	100	50	MVS-1520 (35)
21	105	50	MVS-1521 (35)
22	110	50	MVS-1522 (35)
23	115	50	MVS-1523 (35)
24	120	50	MVS-1524 (35)

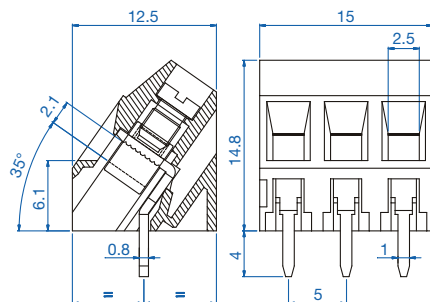
### Material Specifications

Clamp	Nickel Copper
Solder tab	Tin-Plated Copper
Screw	Galvanized Steel
Insulating Material	Polyamide
Flammability Class	V0 UL94
Operating Temperature	-30°C - +105°C

### Installation Data

Screw Size	M3
Torque	0.5Nm (4.5 lb.in.)
Stripping Length	max. 7mm
Clamp Opening	2.5 x 2.1mm
PCB Hole Size	1.5mm

### Dimensions (mm)



### Drilling Diagram

