

PCB Power Terminal Block

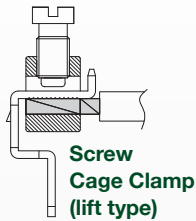
15.00 mm Pin Spacing

- Board Mount PCB
- 125A Current Rating
- Height 36.3mm
- Versions with Mounting Flange



MVP35xx-15-V

Front Wire Entry, Power Block



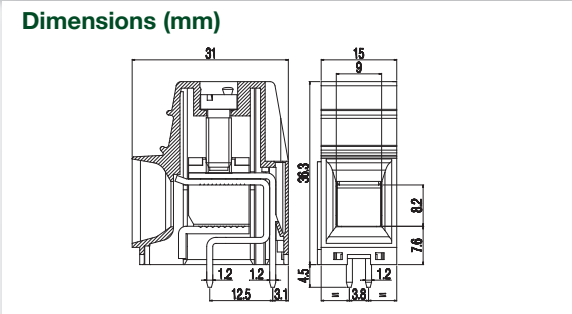
Electrical Ratings		UL E178356		IEC VDE N.40019705	
Usergroup	B	C	D	-	
Rated Voltage	600V	-	600V	750V	
Rated Current	125A	-	125A	16A	
Wire Size	<i>solid</i>	20-1 AWG	-	20-1 AWG	0.25mm ² - 4.0mm ²
	<i>stranded</i>	20-1 AWG	-	20-1 AWG	0.25mm ² - 2.5mm ²

Ordering Information

No. Poles	Length (mm)	Std. Pack	Order #
1	15.00	50	MVP3501-15-V
2	30.00	50	MVP3502-15-V
3	45.00	50	MVP3503-15-V
4	60.00	50	MVP3504-15-V
5	75.00	20	MVP3505-15-V
6	90.00	20	MVP3506-15-V
7	105.00	20	MVP3507-15-V
8	120.00	20	MVP3508-15-V
9	135.00	20	MVP3509-15-V
10	150.00	20	MVP3510-15-V
11	165.00	20	MVP3511-15-V
12	180.00	20	MVP3512-15-V

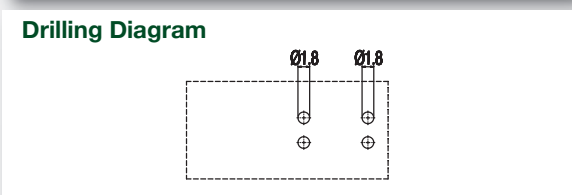
Material Specifications

Clamp	Nickel Copper
Solder tab	Tin-Plated Copper
Screw	Galvanized Steel
Insulating Material	Polyamide
Flammability Class	V0 UL94
Operating Temperature	-30°C - +105°C

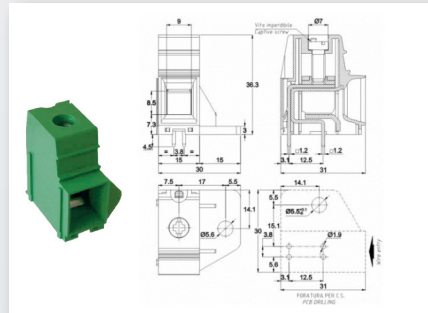


Installation Data

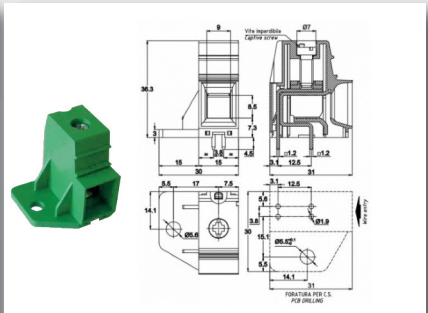
Screw Size	M5
Torque	3.1Nm (22.0 lb.in.)
Stripping Length	max. 19mm
Clamp Opening	8.2 x 8.2mm
PCB Hole Size	1.8mm



MVP35xx-15-V-KD Mounting Flange Left



MVP35xx-15-V-KS Mounting Flange Right



MVP35xx-15-V-KK Dual Mounting Flange

