

PCB Terminal Block

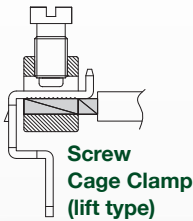
7.50 mm Pin Spacing

- Board Mount PCB
- 30A Current Rating
- Height 18.4mm
- Modular
- Feed-Through Terminal



MVL47xx-7,5-V

Front Wire Entry, Feed-Through



Electrical Ratings

Usergroup	B	C	D	-
Rated Voltage	300V	-	300V	750V
Rated Current	30A	-	30A	41A
Wire Size	<i>solid</i> 20-10 AWG	-	20-10 AWG	0.25mm ² - 6.0mm ²
	<i>stranded</i> 20-10 AWG	-	20-10 AWG	0.25mm ² - 6.0mm ²

UL US
E178356

IEC

VDE
N.40019705

Ordering Information

No. Poles	Length (mm)	Std. Pack	Order #
1	7.5	100	MVL471-7,5-V
2	15.0	100	MVL471-7,5-V
3	22.5	100	MVL471-7,5-V
4	30.0	100	MVL471-7,5-V
5	37.5	100	MVL471-7,5-V
6	45.0	100	MVL471-7,5-V
7	52.5	100	MVL471-7,5-V
8	60.0	100	MVL471-7,5-V

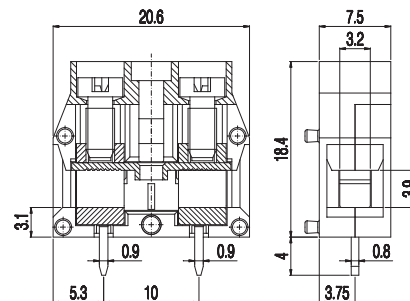
Material Specifications

Clamp	Tin-Plated Copper
Solder tab	Tin-Plated Copper
Screw	Galvanized Steel
Insulating Material	Polyamide
Flammability Class	V0 UL94
Operating Temperature	-30°C - +105°C

Installation Data

Screw Size	M3
Torque	0.5 Nm (7.2 lb.in.)
Stripping Length	max. 8.5mm
Clamp Opening	3.2 x 3.9mm
PCB Hole Size	1.4mm

Dimensions (mm)



Drilling Diagram

