

PCB Terminal Block

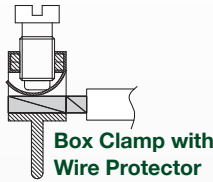
10.16 mm Pin Spacing

- Board Mount PCB
- 20A Current Rating
- Height 13.5mm
- Modular






MVES15xx-10,16-V

Front Wire Entry



Electrical Ratings

	  			
	B	C	D	-
Usergroup	B	C	D	-
Rated Voltage	300V	300V	600V	750V
Rated Current	20A	20A	20A	17.5A
Wire Size	<i>solid</i>	30-14 AWG	30-14 AWG	0.25mm ² - 2.5mm ²
	<i>stranded</i>	30-14 AWG	30-14 AWG	0.25mm ² - 1.5mm ²

Ordering Information

No. Poles	Length (mm)	Std. Pack	Order #
2	15.24	100	MVES152-10,16-V
3	25.40	100	MVES153-10,16-V
4	35.56	100	MVES154-10,16-V
5	45.72	100	MVES155-10,16-V
6	55.88	100	MVES156-10,16-V
7	66.04	100	MVES157-10,16-V
8	76.20	100	MVES158-10,16-V
9	86.36	100	MVES159-10,16-V
10	96.52	100	MVES1510-10,16-V
11	106.68	100	MVES1511-10,16-V
12	116.84	100	MVES1512-10,16-V

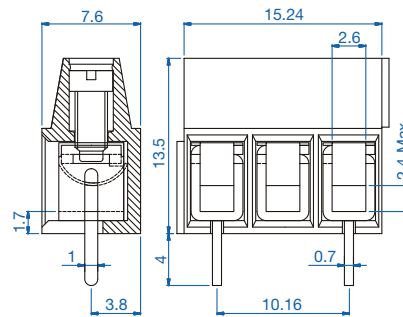
Material Specifications

Clamp	Tin-Plated Copper
Solder tab	Tin-Plated Copper
Screw	Galvanized Steel
Insulating Material	Polyamide
Flammability Class	V0 UL94
Operating Temperature	-30°C - +105°C

Installation Data

Screw Size	M2.5
Torque	0.4 Nm (3.6 lb.in.)
Stripping Length	max. 7mm
Clamp Opening	2.6 x 2.6mm
PCB Hole Size	1.5mm

Dimensions (mm)



Drilling Diagram

