

PCB Terminal Block

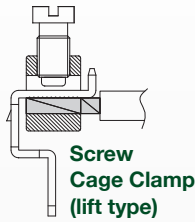
10.16 mm Pin Spacing

- Board Mount PCB
- 16A Current Rating
- Height 29.5mm
- Modular
- Double Level / No Offset, Pins Aligned



MVDK25xx-10,16-V

Front Wire Entry / Double Level



Electrical Ratings

Usergroup	B	C	D	-
Rated Voltage	300V	-	300V	750V
Rated Current	16A	-	16A	16A
Wire Size	<i>solid</i> 30-14 AWG	-	30-14 AWG	0.25mm ² - 4.0mm ²
	<i>stranded</i> 30-14 AWG	-	30-14 AWG	0.25mm ² - 2.5mm ²

UL
E178356

IEC
N.40019705

Ordering Information

No. Poles	Length (mm)	Std. Pack	Order #
4	15.24	100	MVDKB-252
6	25.40	100	MVDKB-253
8	35.56	100	MVDKB-254
10	45.72	100	MVDKB-255
12	55.88	100	MVDKB-256
14	66.04	50	MVDKB-257
16	76.20	50	MVDKB-258
18	86.36	50	MVDKB-259
20	96.52	50	MVDKB-2510
22	106.68	50	MVDKB-2511
24	116.84	50	MVDKB-2512

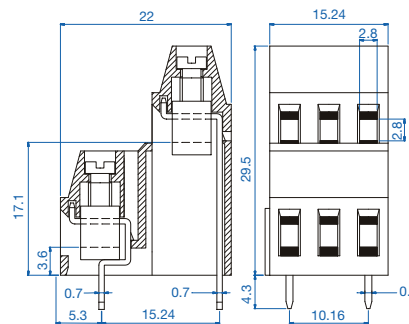
Material Specifications

Clamp	Nickel Copper
Solder tab	Tin-Plated Copper
Screw	Galvanized Steel
Insulating Material	Polyamide
Flammability Class	V0 UL94
Operating Temperature	-30°C - +105°C

Installation Data

Screw Size	M3
Torque	0.5Nm (4.5 lb.in.)
Stripping Length	max. 8mm
Clamp Opening	2.8 x 2.8mm
PCB Hole Size	1.3mm

Dimensions (mm)



Drilling Diagram

