

PCB Terminal Block

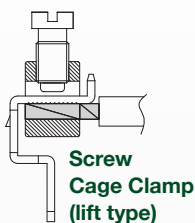
5.00 mm Pin Spacing

- Board Mount PCB
- 16A Current Rating
- Height 29.5mm
- Modular
- Double Level / High Profile



MVD25xx-5-V

Front Wire Entry, Double Level



Electrical Ratings

	B	C	D	
Usergroup	B	C	D	-
Rated Voltage	300V	-	300V	450V
Rated Current	16A	-	16A	16A
Wire Size	<i>solid</i> 30-14 AWG <i>stranded</i> 30-14 AWG	-	30-14 AWG	0.25mm ² - 4.0mm ² 0.25mm ² - 2.5mm ²

UL US
E178356

IEC

VDE
N.40019705

Ordering Information

No. Poles	Length (mm)	Std. Pack	Order #
4	10	100	MVD252-5-V
6	15	100	MVD253-5-V
8	20	100	MVD254-5-V
10	25	100	MVD255-5-V
12	30	100	MVD256-5-V
14	35	100	MVD257-5-V
16	40	100	MVD258-5-V
18	45	100	MVD259-5-V
20	50	100	MVD2510-5-V
22	55	100	MVD2511-5-V
24	60	100	MVD2512-5-V

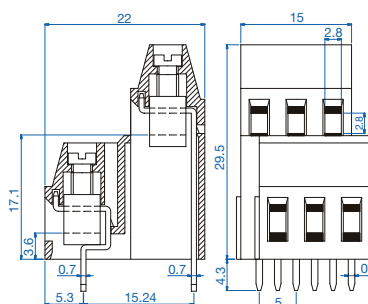
Material Specifications

Clamp	Nickelated Copper
Solder tab	Tin-Plated Copper
Screw	Galvanized Steel
Insulating Material	Polyamide
Flammability Class	V0 UL94
Operating Temperature	-30°C - +105°C

Installation Data

Screw Size	M3
Torque	0.5Nm (4.5 lb.in.)
Stripping Length	max. 8mm
Clamp Opening	2.8 x 2.8mm
PCB Hole Size	1.3mm

Dimensions (mm)



Drilling Diagram

