

PCB Terminal Block

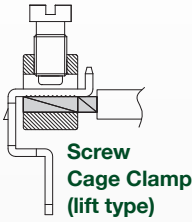
10.16 mm Pin Spacing

- Board Mount PCB
- 16A Current Rating
- Height 12.8mm
- Modular
- Double Level / High Profile



MVD25xx-10,16-V

Front Wire Entry, Double Level



Electrical Ratings

	B	C	D	
Usergroup	B	C	D	-
Rated Voltage	300V	-	300V	750V
Rated Current	16A	-	16A	16A
Wire Size	<i>solid</i> 30-14 AWG <i>stranded</i> 30-14 AWG	-	30-14 AWG	0.25mm ² - 4.0mm ² 0.25mm ² - 2.5mm ²



Ordering Information

No. Poles	Length (mm)	Std. Pack	Order #
4	15.24	100	MVD252-10,16-V
6	25.40	100	MVD253-10,16-V
8	35.56	100	MVD254-10,16-V
10	45.72	100	MVD255-10,16-V
12	55.88	100	MVD256-10,16-V
14	66.04	100	MVD257-10,16-V
16	76.20	100	MVD258-10,16-V
18	45.72	100	MVD259-10,16-V
20	55.88	100	MVD2510-10,16-V
22	66.04	100	MVD2511-10,16-V
24	76.20	100	MVD2512-10,16-V

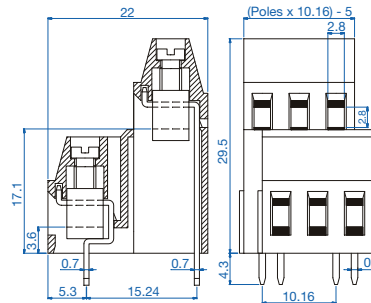
Material Specifications

Clamp	Nickel-Copper
Solder tab	Tin-Plated Copper
Screw	Galvanized Steel
Insulating Material	Polyamide
Flammability Class	V0 UL94
Operating Temperature	-30°C - +105°C

Installation Data

Screw Size	M3
Torque	0.5Nm (4.5 lb.in.)
Stripping Length	max. 8mm
Clamp Opening	2.8 x 2.8mm
PCB Hole Size	1.3mm

Dimensions (mm)



Drilling Diagram

