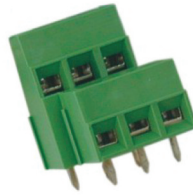


# PCB Terminal Block

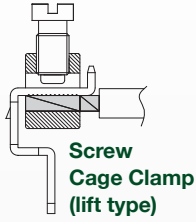
5.00 mm Pin Spacing

- Board Mount PCB
- 13.5A Current Rating
- Height 19.5mm
- Modular
- Double Level / Low Profile



# MVD15xx-5-V

Front Wire Entry, Double Level



Electrical Ratings				UL <sup>®</sup> E178356	IEC	VDE N.40019705
Usergroup	B	C	D	-		
Rated Voltage	300V	300V	300V	450V		
Rated Current	13.5A	13.5A	13.5A	13.5A		
Wire Size	<i>solid</i>	30-16 AWG	30-16 AWG	0.25mm <sup>2</sup> - 1.5mm <sup>2</sup>		
	<i>stranded</i>	30-16 AWG	30-16 AWG	0.25mm <sup>2</sup> - 1.5mm <sup>2</sup>		

## Ordering Information

No. Poles	Length (mm)	Std. Pack	Order #
4	10	100	MVD-152 (5,00)
6	15	100	MVD-153 (5,00)
8	20	100	MVD-154 (5,00)
10	25	100	MVD-155 (5,00)
12	30	100	MVD-156 (5,00)
14	35	100	MVD-157 (5,00)
16	40	100	MVD-158 (5,00)
18	45	100	MVD-159 (5,00)
20	50	100	MVD-1510 (5,00)
22	55	100	MVD-1511 (5,00)
24	60	100	MVD-1512 (5,00)
26	65	50	MVD-1513 (5,00)
28	70	50	MVD-1514 (5,00)
30	75	50	MVD-1515 (5,00)
32	80	50	MVD-1516 (5,00)
34	85	50	MVD-1517 (5,00)
36	90	50	MVD-1518 (5,00)
38	95	50	MVD-1519 (5,00)
40	100	50	MVD-1520 (5,00)
42	105	50	MVD-1521 (5,00)
44	110	50	MVD-1522 (5,00)
46	115	50	MVD-1523 (5,00)
48	120	50	MVD-1524 (5,00)

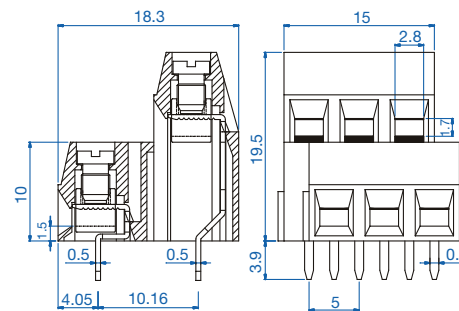
### Material Specifications

Clamp	Nickel Copper
Solder tab	Tin-Plated Copper
Screw	Galvanized Steel
Insulating Material	Polyamide
Flammability Class	V0 UL94
Operating Temperature	-30°C - +105°C

### Installation Data

Screw Size	M3
Torque	0.5 Nm (4.5 lb.in.)
Stripping Length	max. 6mm
Clamp Opening	2.8 x 1.7mm
PCB Hole Size	1.3mm

### Dimensions (mm)



### Drilling Diagram

