

PCB Terminal Block

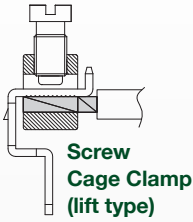
6.35 mm Pin Spacing

- Board Mount PCB
- 30A Current Rating
- Height 21mm
- Modular



MV46xx-6,35-V

Front Wire Entry



Electrical Ratings

Usergroup	B	C	D	
Rated Voltage	300V	-	300V	450V
Rated Current	30A	-	30A	32A
Wire Size	<i>solid</i> 30-10 AWG <i>stranded</i> 30-10 AWG	-	30-10 AWG	0.25mm ² - 6.0mm ² 0.25mm ² - 6.0mm ²

UL
C 710 US
E178356

IEC

VDE
N.40019705

Ordering Information

No. Poles	Length (mm)	Std. Pack	Order #
2	12.70	100	MV-462
3	19.05	100	MV-463
4	25.40	100	MV-464
5	31.75	100	MV-465
6	38.10	100	MV-466
7	44.45	100	MV-467
8	50.80	100	MV-468
9	57.15	100	MV-469
10	63.50	100	MV-4610
11	69.85	100	MV-4611
12	76.20	100	MV-4612
13	82.55	50	MV-4613
14	88.90	50	MV-4614
15	95.25	50	MV-4615
16	101.60	50	MV-4616

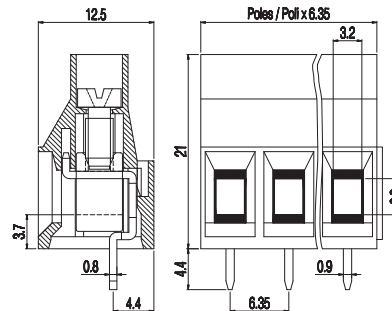
Material Specifications

Clamp	Nickel-Copper
Solder tab	Tin-Plated Copper
Screw	Galvanized Steel
Insulating Material	Polyamide
Flammability Class	V0 UL94
Operating Temperature	-30°C - +105°C

Installation Data

Screw Size	M3
Torque	0.8Nm (7.2 lb.in.)
Stripping Length	max. 9mm
Clamp Opening	3.2 x 3.9mm
PCB Hole Size	1.4mm

Dimensions (mm)



Drilling Diagram

