

## PCB Terminal Block

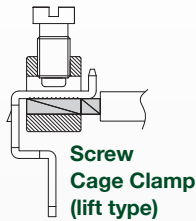
10.16 mm Pin Spacing

- Board Mount PCB
- 13.5A Current Rating
- Height 19.5mm
- Modular
- Medium Profile



# MMT15xx-10,16-V

Front Wire Entry



Electrical Ratings		UL US E178356			IEC	VDE N.40019705
Usergroup	B	C	D	-		
Rated Voltage	600V	-	600V	750V		
Rated Current	13.5A	-	13.5A	13.5A		
Wire Size	<i>solid</i>	30-16 AWG	30-16 AWG	30-16 AWG	0.25mm <sup>2</sup> - 1.5mm <sup>2</sup>	
	<i>stranded</i>	30-16 AWG	30-16 AWG	30-16 AWG	0.25mm <sup>2</sup> - 1.5mm <sup>2</sup>	

### Ordering Information

No. Poles	Length (mm)	Std. Pack	Order #
2	15.24	100	MMT152-10,16-V
3	25.40	100	MMT153-10,16-V
4	35.56	100	MMT154-10,16-V
5	45.72	100	MMT155-10,16-V
6	55.88	100	MMT156-10,16-V
7	66.04	100	MMT157-10,16-V
8	76.20	100	MMT158-10,16-V
9	86.36	100	MMT159-10,16-V
10	96.52	100	MMT1510-10,16-V
11	106.68	100	MMT1511-10,16-V
12	116.84	100	MMT1512-10,16-V

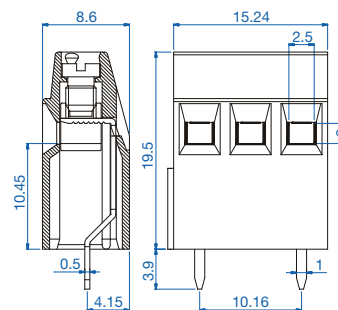
### Material Specifications

Clamp	Nickel-Copper
Solder tab	Tin-Plated Copper
Screw	Galvanized Steel
Insulating Material	Polyamide
Flammability Class	V0 UL94
Operating Temperature	-30°C - +105°C

### Installation Data

Screw Size	M3
Torque	0.5Nm (4.5 lb.in.)
Stripping Length	max. 6.0mm
Clamp Opening	2.5 x 2.0mm
PCB Hole Size	1.3mm

### Dimensions (mm)



### Drilling Diagram

