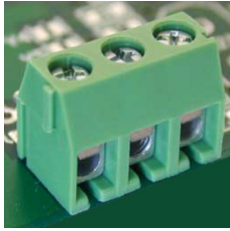


# PCB Terminal Block

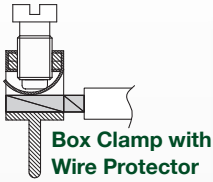
3.50 mm Pin Spacing

- Board Mount PCB
- 6A Current Rating
- Height 8.4mm
- Modular



# MLK13xx-3,5-V

Front Wire Entry



## Electrical Ratings

	B	C	D	
Usergroup	B	C	D	-
Rated Voltage	300V	-	300V	130V
Rated Current	6A	-	6A	10A
Wire Size	<i>solid</i> 24-16 AWG <i>stranded</i> 24-18 AWG	-	24-16 AWG 24-18 AWG	0.25mm <sup>2</sup> - 1.5mm <sup>2</sup> 0.25mm <sup>2</sup> - 1.0mm <sup>2</sup>



## Ordering Information

No. Poles	Length (mm)	Std. Pack	Order # - Single Mold
2	7.0	500	MLK132-3,5-V
3	10.5	500	MLK133-3,5-V
4	14.0	500	MLK134-3,5-V
5	17.5	500	MLK135-3,5-V
6	21.0	200	MLK136-3,5-V
7	24.5	200	MLK137-3,5-V
8	28.0	200	MLK138-3,5-V
9	31.5	200	MLK139-3,5-V
10	35.0	200	MLK1310-3,5-V
11	38.5	100	MLK1311-3,5-V
12	42.0	100	MLK1312-3,5-V
13	45.5	100	MLK1313-3,5-V
14	49.0	100	MLK1314-3,5-V

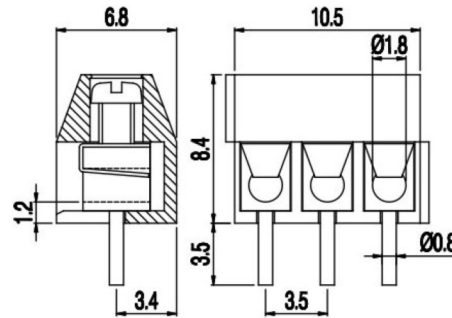
## Material Specifications

Clamp	Nickel-Copper
Solder tab	Tin-Plated Copper
Screw	Galvanized Steel
Insulating Material	Polyamide
Flammability Class	V0 UL94
Operating Temperature	-30°C - +105°C

## Installation Data

Screw Size	M2
Torque	0.2Nm (1.8 lb.in.)
Stripping Length	max. 6mm
Clamp Opening	1.8 x 1.8mm
PCB Hole Size	1.3mm

## Dimensions (mm)



## Drilling Diagram

