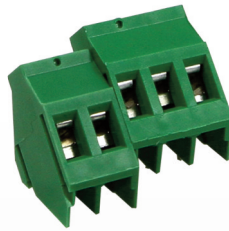


## PCB Terminal Block

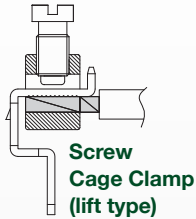
5.00 mm Pin Spacing

- Board Mount PCB
- 16A Current Rating
- Height 16.3mm
- Modular



# MI25xx-5-IQ

45° Angled Wire Entry



### Electrical Ratings

	UL US E178356		IEC N.40019705	
	B	C	D	-
Usergroup	B	C	D	-
Rated Voltage	300V	-	300V	450V
Rated Current	16A	-	16A	16A
Wire Size	<i>solid</i> 30-14 AWG	-	30-14 AWG	0.25mm <sup>2</sup> - 4.0mm <sup>2</sup>
	<i>stranded</i> 30-14 AWG	-	30-14 AWG	0.25mm <sup>2</sup> - 2.5mm <sup>2</sup>

### Ordering Information

No. Poles	Length (mm)	Std. Pack	Order #
2	10	100	MI-252 (5,00)
3	15	100	MI-253 (5,00)
4	20	100	MI-254 (5,00)
5	25	100	MI-255 (5,00)
6	30	100	MI-256 (5,00)
7	35	100	MI-257 (5,00)
8	40	100	MI-258 (5,00)
9	45	100	MI-259 (5,00)
10	50	100	MI-2510 (5,00)
11	55	100	MI-2511 (5,00)
12	60	100	MI-2512 (5,00)
13	65	50	MI-2513 (5,00)
14	70	50	MI-2514 (5,00)
15	75	50	MI-2515 (5,00)
16	80	50	MI-2516 (5,00)
17	85	50	MI-2517 (5,00)
18	90	50	MI-2518 (5,00)
19	95	50	MI-2519 (5,00)
20	100	50	MI-2520 (5,00)
21	105	50	MI-2521 (5,00)
22	110	50	MI-2522 (5,00)
23	115	50	MI-2523 (5,00)
24	120	50	MI-2524 (5,00)

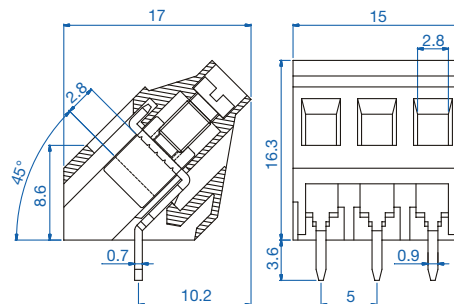
### Material Specifications

Clamp	Nickel-Copper
Solder tab	Tin-Plated Copper
Screw	Galvanized Steel
Insulating Material	Polyamide
Flammability Class	V0 UL94
Operating Temperature	-30°C - +105°C

### Installation Data

Screw Size	M3
Torque	0.5 Nm (4.5 lb.in.)
Stripping Length	max. 8mm
Clamp Opening	2.8 x 2.8mm
PCB Hole Size	1.3mm

### Dimensions (mm)



### Drilling Diagram

