

# PCB Terminal Block

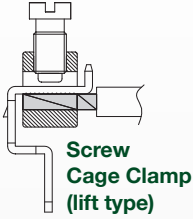
10.16 mm Pin Spacing

- Board Mount PCB
- 16A Current Rating
- Height 16.3mm
- Modular



# MI25xx-10,16-IT

## 35° Angled Wire Entry



### Electrical Ratings

	B	C	D	
Usergroup	B	C	D	-
Rated Voltage	300V	-	300V	750V
Rated Current	16A	-	16A	16A
Wire Size	<i>solid</i> 30-14 AWG	-	30-14 AWG	0.25mm <sup>2</sup> - 4.0mm <sup>2</sup>
	<i>stranded</i> 30-14 AWG	-	30-14 AWG	0.25mm <sup>2</sup> - 2.5mm <sup>2</sup>



### Ordering Information

No. Poles	Length (mm)	Std. Pack	Order #
2	15.24	100	MI252-10,16-IT
3	25.40	100	MI253-10,16-IT
4	35.56	100	MI254-10,16-IT
5	45.72	100	MI255-10,16-IT
6	55.88	100	MI256-10,16-IT
7	66.04	100	MI257-10,16-IT
8	76.20	100	MI258-10,16-IT
9	86.36	100	MI259-10,16-IT
10	96.52	100	MI2510-10,16-IT
11	55.88	100	MI2511-10,16-IT
12	60.96	100	MI2512-10,16-IT

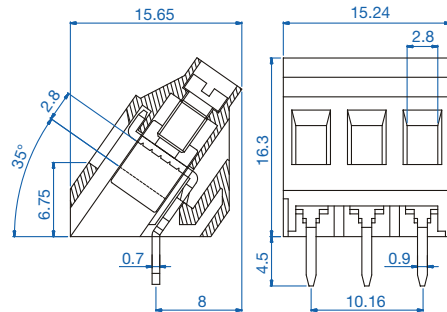
### Material Specifications

Clamp	Nickelated Copper
Solder tab	Tin-Plated Copper
Screw	Galvanized Steel
Insulating Material	Polyamide
Flammability Class	V0 UL94
Operating Temperature	-30°C - +105°C

### Installation Data

Screw Size	M3
Torque	0.5Nm (4.5 lb.in.)
Stripping Length	max. 8mm
Clamp Opening	2.8 x 2.8mm
PCB Hole Size	1.3mm

### Dimensions (mm)



### Drilling Diagram

