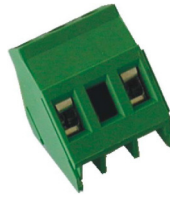


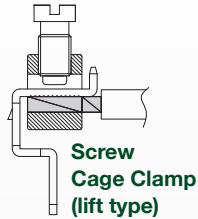
PCB Terminal Block

10.16 mm Pin Spacing

- Board Mount PCB
- 16A Current Rating
- Height 16.3mm
- Modular

**MI25xx-10,16-IQ**

45° Angled Wire Entry

**Electrical Ratings**

| | UL E178356 | | IEC | VDE N.40019705 |
|---------------|-----------------|-----------|------|--|
| | B | C | | |
| Usergroup | B | C | D | - |
| Rated Voltage | 300V | - | 300V | 750V |
| Rated Current | 16A | - | 16A | 16A |
| Wire Size | <i>solid</i> | 30-14 AWG | - | 30-14 AWG |
| | <i>stranded</i> | 30-14 AWG | - | 30-14 AWG |
| | | | | 0.25mm ² - 4.0mm ² |
| | | | | 0.25mm ² - 2.5mm ² |

Ordering Information

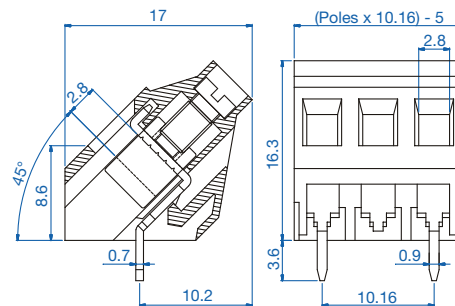
| No. Poles | Length (mm) | Std. Pack | Order # |
|-----------|-------------|-----------|-----------------|
| 2 | 15.24 | 100 | MI252-10,16-IQ |
| 3 | 25.40 | 100 | MI253-10,16-IQ |
| 4 | 35.56 | 100 | MI254-10,16-IQ |
| 5 | 45.72 | 100 | MI255-10,16-IQ |
| 6 | 55.88 | 100 | MI256-10,16-IQ |
| 7 | 66.04 | 100 | MI257-10,16-IQ |
| 8 | 76.20 | 100 | MI258-10,16-IQ |
| 9 | 86.36 | 100 | MI259-10,16-IQ |
| 10 | 96.52 | 100 | MI2510-10,16-IQ |
| 11 | 106.68 | 100 | MI2511-10,16-IQ |
| 12 | 116.84 | 100 | MI2512-10,16-IQ |

Material Specifications

| | |
|-----------------------|-------------------|
| Clamp | Nickel-Copper |
| Solder tab | Tin-Plated Copper |
| Screw | Galvanized Steel |
| Insulating Material | Polyamide |
| Flammability Class | V0 UL94 |
| Operating Temperature | -30°C - +105°C |

Installation Data

| | |
|------------------|---------------------|
| Screw Size | M3 |
| Torque | 0.5 Nm (4.5 lb.in.) |
| Stripping Length | max. 8mm |
| Clamp Opening | 2.8 x 2.8mm |
| PCB Hole Size | 1.3mm |

Dimensions (mm)**Drilling Diagram**