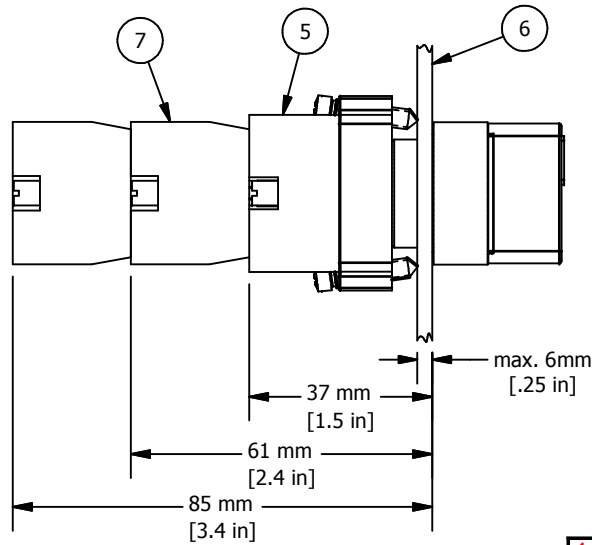


3 POSITION SELECTOR SWITCH CONTACT BLOCK OPERATION GUIDE

Symbol	Symbol	Symbol	CONTACT BLOCK GUIDE
⊗	○	○	1 NO (left)
○	⊗	○	2 NC in series (side × side)
○	○	⊗	1 NO (right)
⊗	⊗	○	1 NC (right)
○	⊗	⊗	1 NC (left)
⊗	○	⊗	2 NO in parallel (side × side)

(Left or right as seen from front of operator)

Up to **four** switch contacts can be installed.



zzz = Voltage

012	=	12V AC/DC
024	=	24V AC/DC
048	=	48V AC/DC
110	=	110V AC/DC
230	=	230V AC
230D	=	230V DC

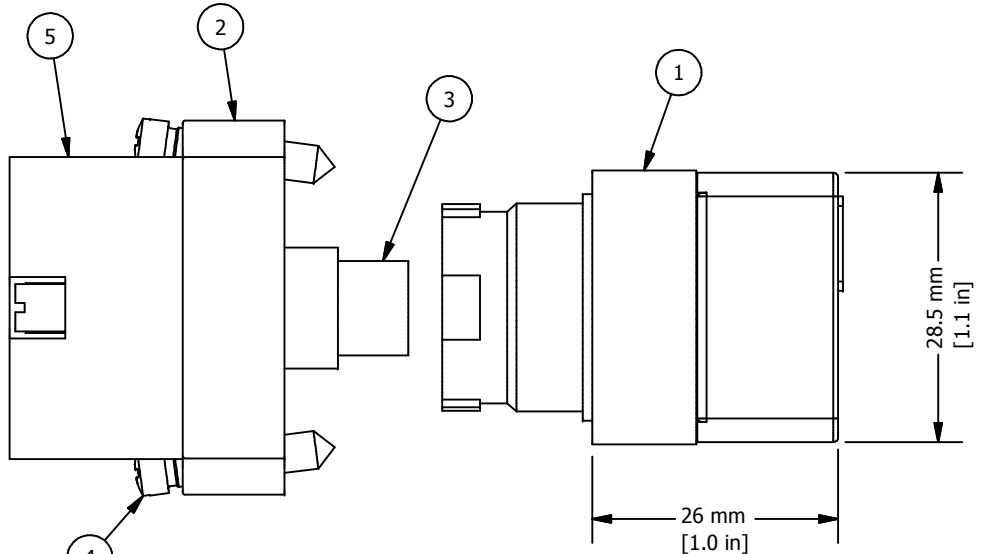
y = Voltage

1	=	2 Position Maintained
2	=	2 Position Spring Return
3	=	3 Position Maintained
4	=	3 Position Spring Return from left and right
5	=	3 Position Spring Return from right
6	=	3 Position Spring Return from

- * = Selector Switch is supplied with mounting bracket, bulb holder and LED (ITEM 1,2,3,4 and 5)
- ** = Switch Contacts must be order separately

REVISION FOR DWG # 1PB-2ASLxLB-y-zzz

REV	CH.NO.	DESCRIPTION	DATE	REVISED BY
-	-	ORIGINAL DESIGN	11/01/07	PHILIPP E.



ITEM	DESCRIPTION	CAT. NO.	COLOR	MIN. QTY.	MAX. QTY.
1*	LED Illuminated Metal Selector Switch	2ASL1LB-y-zzz	White	1	1
		2ASL3LB-y-zzz	Green	1	1
		2ASL4LB-y-zzz	Red	1	1
		2ASL5LB-y-zzz	Amber	1	1
		2ASL6LB-y-zzz	Blue	1	1
		2ASL7LB-y-zzz	Clear	1	1
2ASL8LB-y-zzz	Yellow	1	1		
2*	Mounting Bracket	2BRK	-	1	1
3*	LED Bulb	MCB9-zzz	-	1	1
4*	Mounting Bracket Screws	incl. in 2BRK	-	2	2
5*	Bulb Holder	2LHB	-	1	1
6	Panel	-	-	-	-
7**	Switch Contacts	S1	Green	1	4
		S2	Red	1	4
		S3	Green/Gray	1	4
		S4	Red/Gray	1	4

UNLESS OTHERWISE SPECIFIED:
 • ALL DIMENSIONS ARE IN MILLIMETERS
 • THIRD ANGLE PROJECTION



This Drawing is the property of
Altech Corp.

35 Royal Road
 Flemington, NJ 08822-6000
 (908) 806-9400
 Fax (908) 806-9490

M E T R I C

TOLERANCE	=	±1 mm
XX.X	=	±0.5 mm
XX.XX	=	±0.2 mm
ALL	=	- mm

AND IS A CONFIDENTIAL DISCLOSURE WITHOUT CONSIDERATION OTHER THAN THE BORROWER'S AGREEMENT THAT IT SHALL NOT BE REPRODUCED, COPIED, LENT OR DISPOSED OF DIRECTLY OR INDIRECTLY NOR USED FOR ANY PURPOSE OTHER THAN THAT FOR WHICH IT IS SPECIFICALLY FURNISHED.

TITEL **22 mm LED Illuminated Metal Selector Switch Operator**
2ASLxLB-y-zzz (x=color, y=type, zzz=voltage)

DRAWN BY:
 Philipp Ernstberger

11/01/07

CHECKED BY:
 Laszlo Gyorgypal

11/01/07

RELEASED BY:
 Laszlo Gyorgypal

11/01/07

DRAWING NO.:

1PB-2ASLxLB-y-zzz

REV.:

-

SCALE: -

SHEET: 1

OF: 1