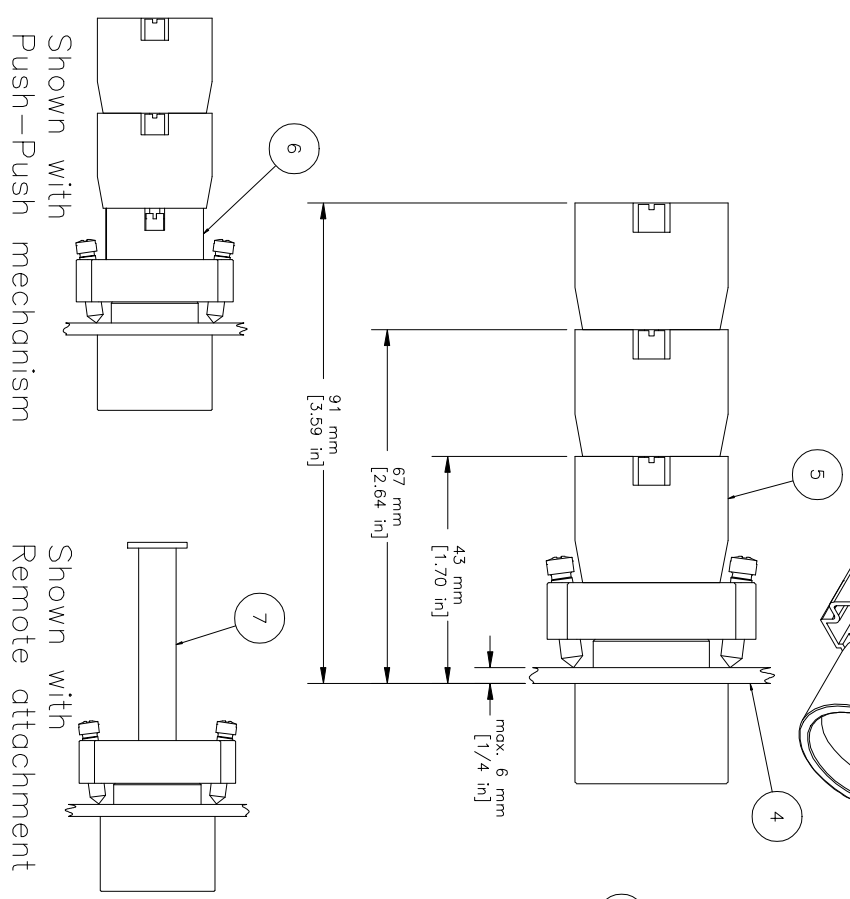
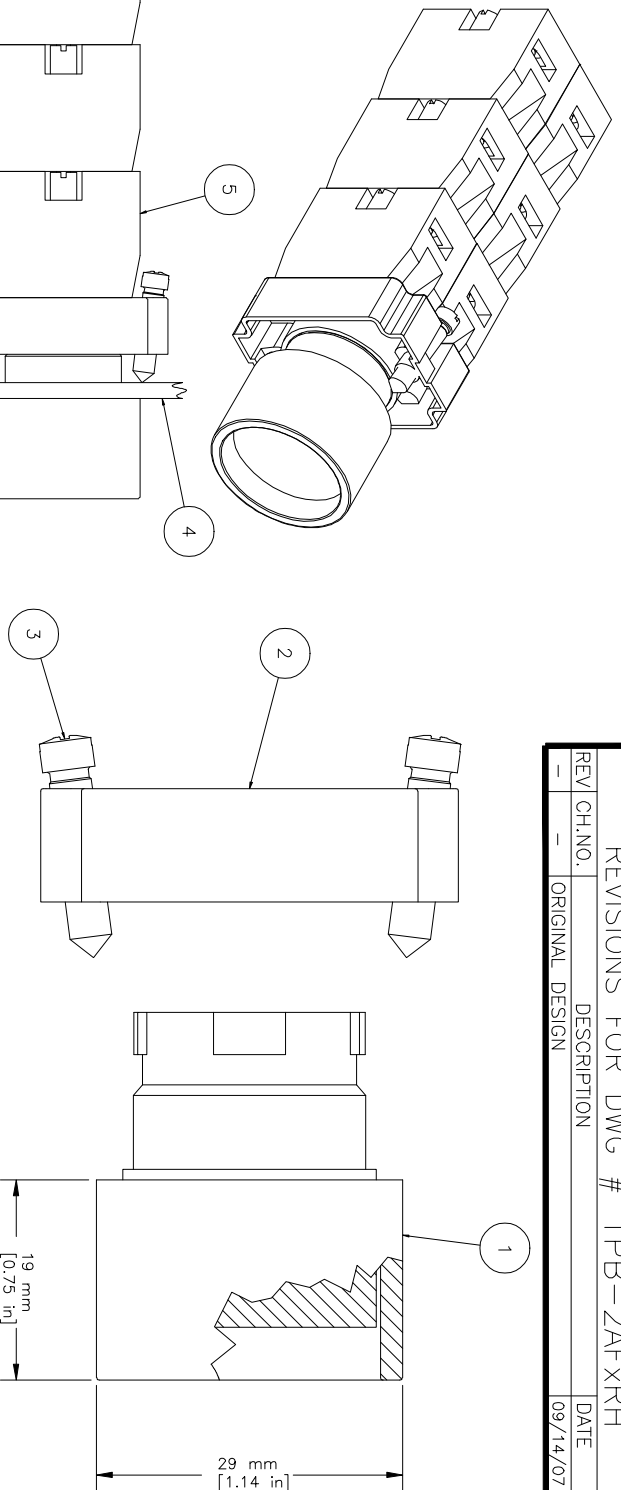


REVISIONS FOR DWG # 1PB-2AFXRH

| REV. CH. NO. | DESCRIPTION | DATE | REVISED BY |
|--------------|-----------------|----------|------------|
| - | ORIGINAL DESIGN | 09/14/07 | Phil E. |



Shown with Push-Push mechanism

Shown with Remote attachment

| ITEM | DESCRIPTION | CAT. NO. | COLOR | MIN. QTY. | MAX. QTY. |
|------|---|--|--|----------------------------|----------------------------|
| 1 | Recessed Operator (comes with mounting bracket 2BRK) | 2AF1RH 2AF2RH 2AF3RH 2AF4RH 2AF6RH 2AF8RH | White Black Green Red Blue Yellow | 1 1 1 1 1 1 | 1 1 1 1 1 1 |
| 2 | Mounting Bracket | 2BRK | - | 1 | 1 |
| 3 | Mounting Bracket Screws | incl. in 2BRK | - | 2 | 2 |
| 4 | Panel | S1 S2 S3 S4 | Green Red Green/Gray Red/Gray | 1 1 1 1 | 6 6 6 6 |
| 5 | Switch Contacts | 2PPM | Black | 1 | 1 |
| 6 | Maintained Action Block | Add Suffix "RR" | - | 1 | 1 |
| 7 | Remote Attachment | - | - | 1 | 1 |

UNLESS OTHERWISE SPECIFIED
ALL DIMENSIONS ARE IN MILLIMETERS

THIRD ANGLE PROJECTION

TOLERANCE

| | |
|-------|---------|
| XX | ±1 mm |
| XX.X | ±0.5 mm |
| XX.XX | ±0.2 mm |
| ALL | - mm |

This Drawing is the property of

Attech Corp.

35 Royal Road
Flemington NJ 08822-6000
(908) 806-9400 • Fax (908) 806-9490

AND IS A CONFIDENTIAL DISCLOSURE
LENT WITHOUT CONSIDERATION OTHER
THAN THE BORROWER'S AGREEMENT
THAT IT SHALL NOT BE REPRODUCED,
COPIED, LENT, OR DISPOSED OF
DIRECTLY OR INDIRECTLY NOR USED
FOR ANY PURPOSE OTHER THAN THAT
FOR WHICH IT IS SPECIFICALLY
FURNISHED.

TITLE: 22 mm Non-Illuminated Recessed Metal Operator 2AFXRH (x=color)

| | | | | | | |
|--------------|---------------------|----------|--------------|------------|--------|--------|
| DRAWN BY: | Philipp Ernstberger | 09/14/07 | DRAWING NO.: | 1PB-2AFXRH | REV.: | - |
| CHECKED BY: | Laszlo Gyorgypal | 09/14/07 | SCALE: | - | SHEET: | 1 OF 1 |
| RELEASED BY: | Laszlo Gyorgypal | 09/14/07 | | | | |