

Technical Data

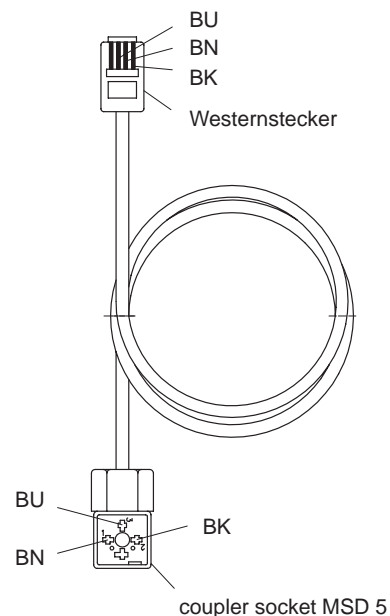
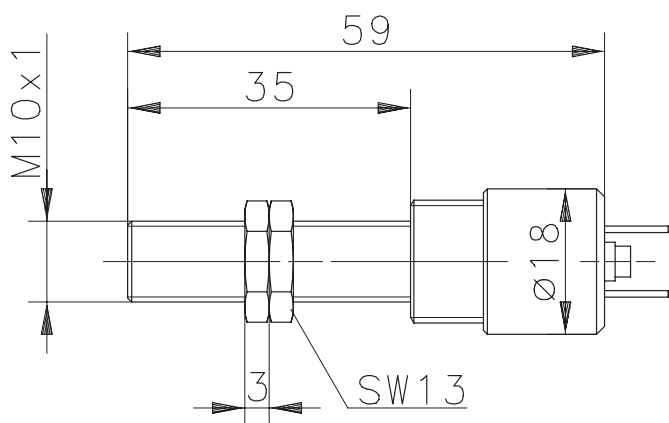
Magnetic Proximity Switch

Series MA-99



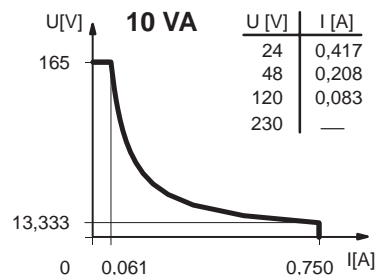
BERNSTEIN

cable length	Type	Part.-No.
0,7m	MAM-9912-STK-0,7	641.0299.502
1,2m	MAM-9912-STK-1,2	641.0299.503
1,3m	MAM-9912-STK-1,3	641.0299.504

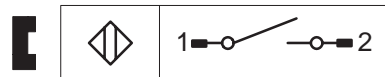


Technical Data

Max. Voltage	165V
Max. Switch Current	0,75A
Max. Switching	10VA



Mech. Lifetime	3 x 10 ⁸ switchings, however, according to the load resetability
Repeat accuracy	± 0,1 mm under same geometrical conditions at the same temperature
Temperature range	-5 °C bis +70 °C
Protection	IP 65 according to IEC 529, EN 60529 (NEMA 4) (only in fully snapped – in position with it's plugs)
Output function	N.O. (other functions on request)



Mechanical Features

Housing	CuZn39/40Pb2/3; encapsulated reed contact
Connection	plug socket
Assembly position	optional (assembly on iron means reduction of switch distance)

General Instructions

Pay attention to the contact protection when switching inductive loads.