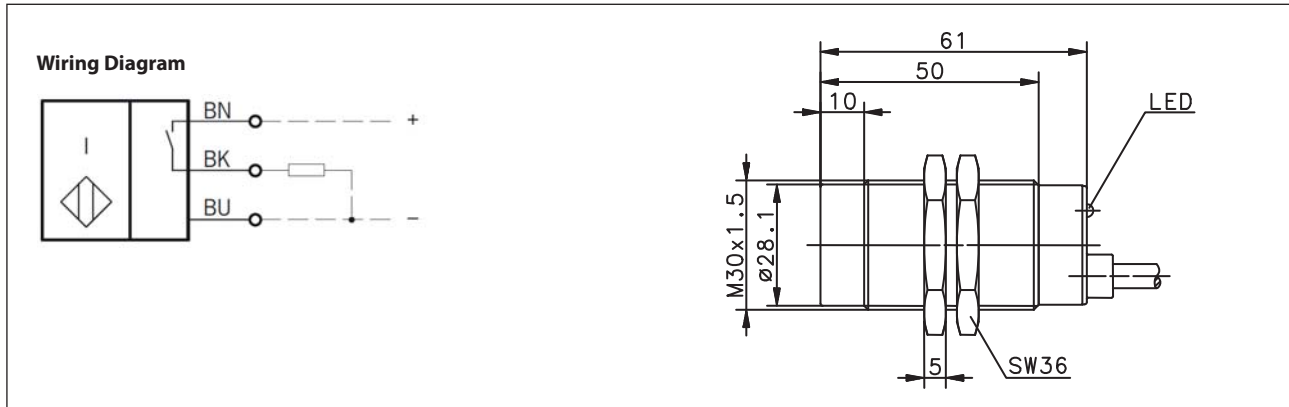


Inductive Proximity Switch Series M30

Description **KIN-M30PS/015-KL2**

Article number **6932908001**



Identifying characteristics in accordance with EN 60947-5-2

Electrical data		
Rated operating distance	S_n	15 mm
Standard target		45 mm x 45 mm, t = 1 mm; material: FE360
Real sensing distance	S_r	13,5 ... 16,5 mm
Assured operating distance	S_a	0 ... 12,2 mm
Switching element function		DC, N.O.; Open Collector Output
Repeat accuracy	R	≤ 5 %
Differential travel (hysteresis)	H	≈ 10 %
Operational voltage range	U_B	10 - 36 V DC
Rated insulation voltage	U_i	75 V DC
Rated impulse withstand voltage	U_{imp}	500 V
Voltage drop	U_d	≤ 1,5 V
Utilization category		DC-13
Rated operational current	I_e	200 mA
Minimum operating current	I_m	≤ 1 mA
Off-state current	I_r	≤ 0,3 mA
No-load supply current	I_o	≤ 11 mA
Switching element		Permanent overload and s.c.p.
Short-circuit protection		pulsed
Frequency of operating cycles	f	100 Hz
Mounting		non flush
False polarity protection		yes
Time delay before availability	t_v	< 50 ms

Electromagnetic compatibility (EMC)	
Electromagnetic field test	IEC 61000-4-3
Electrostatic discharge test	IEC 61000-4-2
Electrical fast transient immunity test	IEC 61000-4-4
Radiated disturbance field strength	EN 55011

Mechanical Data	
Front cap	PA 6.6, black
Enclosure	Brass, nickel plated
End cap	PA 12, black
Ambient air temperature	-25 °C ... +70 °C
Type of protection	IP67
Pollution degree	3 (Pollution of the active zone can cause impairments of the operating distances.)
Indication	LED yellow
Termination type	Cable 3 x 0,5 mm ² x 2 m ± 5 %; PVC – Outer jacket, black
For attachment	2 x hexagon nut

Product reliability (in acc. with DIN EN 61709 (SN 29500))	
MTTF (at 40 °C)	> 900 years

EU Conformity	
	acc. to directive 2004 / 108 / EC