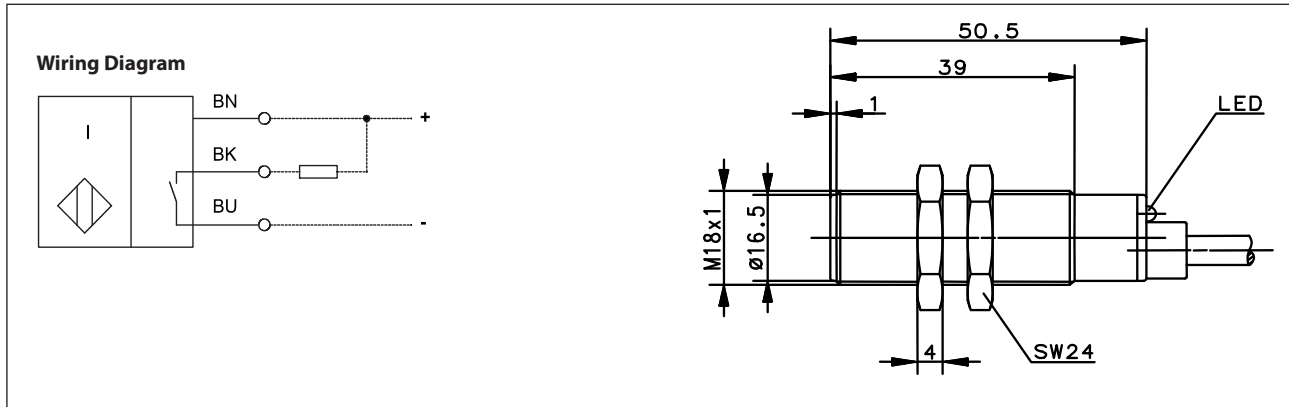


Inductive Proximity Switch Series M18

Description **KIB-M18NS/005-KL2**

Article number **6932305001**



Identifying characteristics in accordance with EN 60947-5-2

Electrical data		
Rated operating distance	S_n	5 mm
Standard target		18 mm x 18 mm, t = 1 mm; material: FE360
Real sensing distance	S_r	4,5 ... 5,5 mm
Assured operating distance	S_a	0 ... 4,1 mm
Switching element function		DC, N.O.; Open Collector Output
Repeat accuracy	R	≤ 5 %
Differential travel (hysteresis)	H	≈ 10 %
Operational voltage range	U_B	10 - 36 V DC
Rated insulation voltage	U_i	75 V DC
Rated impulse withstand voltage	U_{imp}	500 V
Voltage drop	U_d	≤ 1,5 V
Utilization category		DC-13
Rated operational current	I_e	200 mA
Minimum operating current	I_m	1 mA
Off-state current	I_r	≤ 0,3 mA
No-load supply current	I_o	≤ 11 mA
Switching element		Permanent overload and s.c.p.
Short-circuit protection		pulsed
Frequency of operating cycles	f	500 Hz
Mounting		flush
False polarity protection		Yes
Time delay before availability	t_v	≤ 50 ms

Electromagnetic compatibility (EMC)	
Electromagnetic field test	IEC 61000-4-3
Electrostatic discharge test	IEC 61000-4-2
Electrical fast transient immunity test	IEC 61000-4-4
Radiated disturbance field strength	EN 55011

Mechanical Data	
Front cap	PA 6.6, black
Enclosure	Brass, nickel plated
End cap	PA 6.6, black
Ambient air temperature	-25 °C ... +70 °C
Type of protection	IP67
Degree of pollution	3 (Pollution of the active zone can cause impairments of the operating distances.)
	LED yellow
Termination type	Cable 3 x 0,5 mm ² x 2 m ± 5 %; PVC – Outer jacket, black
For attachment	2 x hexagon nut

Product reliability (in acc. with DIN EN 61709 (SN 29500))	
MTTF (at 40 °C)	> 900 years

EU Conformity	
	acc. to directive 2014/30/EU (EMC-Directive)