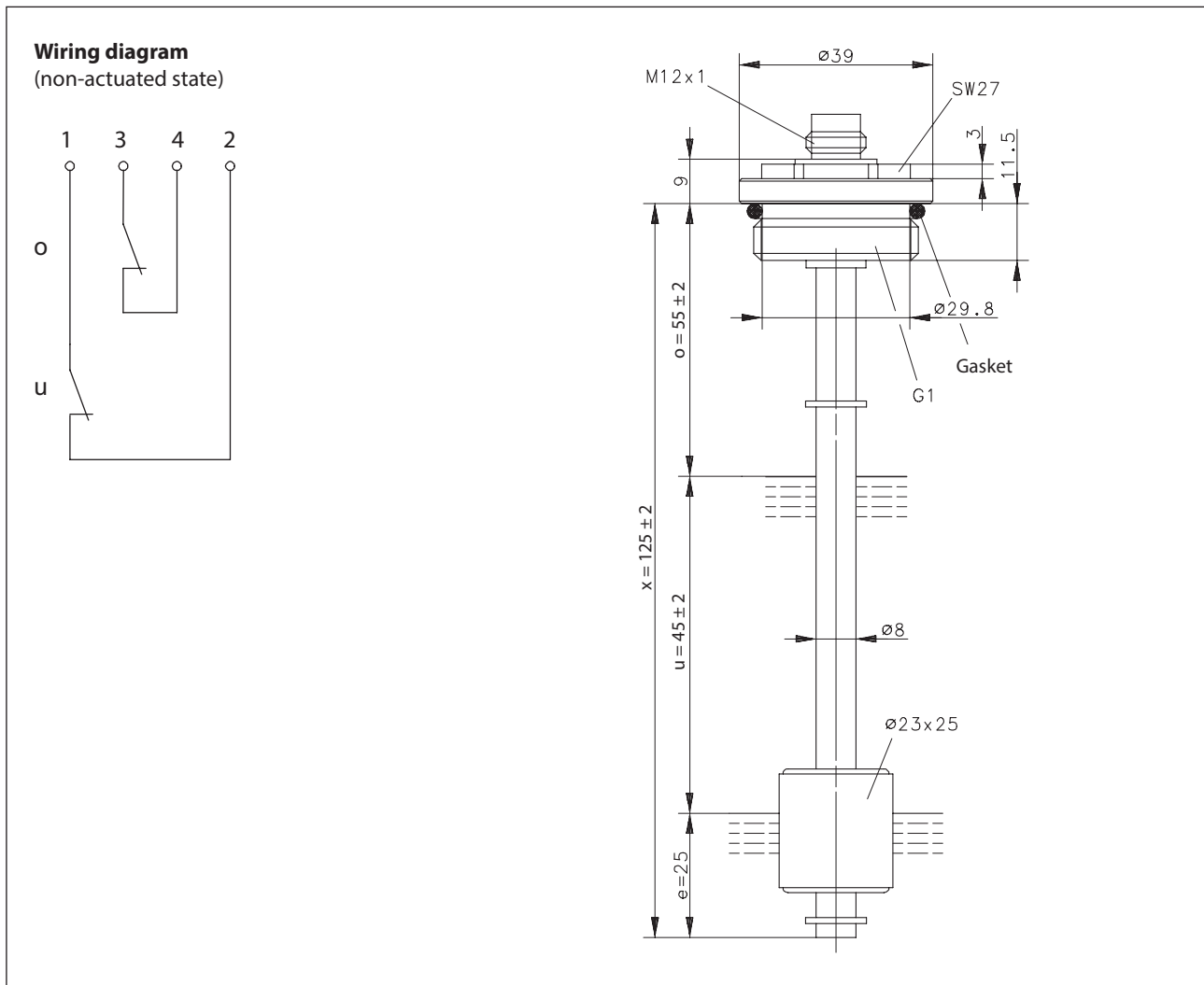


Float switch

Series Miniature-Float switch

Description **MSK4-MS-R1,0ST-2O 0125**

Article number **6895249002**



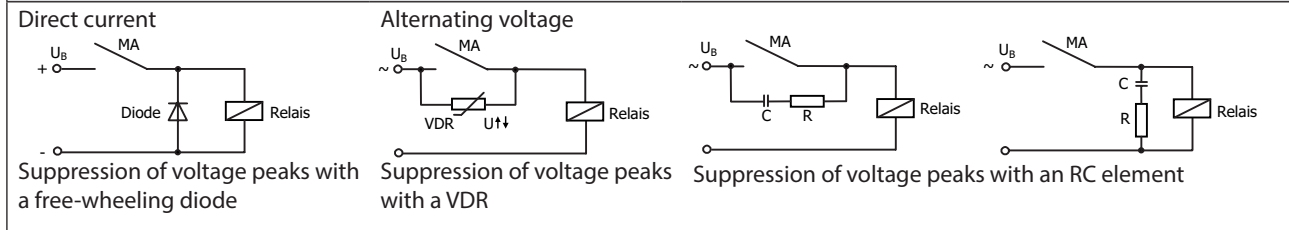
Characteristic features in accordance with EN 60947-5-1

| Electrical data | | |
|---------------------------|-------|---|
| Operational voltage range | U_B | 0 - 24 V DC |
| max. switching current | | 1 A |
| max. switching capacity | | 20 VA |
| mechanical life | | 10^7 to 10^9 switches depending on the load |
| Switching element | | o = N.C., rising level u = N.C., falling level |
| Protection class | | III |

| Mechanical data | |
|-------------------------|---|
| Bolting material | CuZn39Pb3 (2.0401) |
| Switching tube material | CuZn37 (2.0321) |
| Float material | NBR |
| - density | about 0,65 g/cm ³ ±10 % |
| - depth of immersion | 16 mm ± 2 mm (to a fluid-density of 1 g/cm ³) |
| Gasket material | NBR |
| Grip screw material | CuSn8 (2.1030) |
| Ambient air temperature | -5 °C to +60 °C |
| Liquid temperature | -5 °C to +60 °C |
| Connection | Connector M12x1, 4 pole, A coded |
| Protection type | IP 65 acc to IEC529 / EN 60529 (only in fully locked position with it's plugs) |
| Max. pressure | 25 bar |

| General details |
|---|
| <p>Repeatability of switching points is ±0,05 mm based on the same geometrical conditions as of a switch device. The measures of the switching points refer to a fluid-density of 1 g/cm³. The tolerance of the switching points is ±2 mm Pay attention to the contact protection, when switching inductive or capacitive loads. Maximum data must not be exceeded!</p> |

Inductive loads



Capacitive loads and lamp loads

