

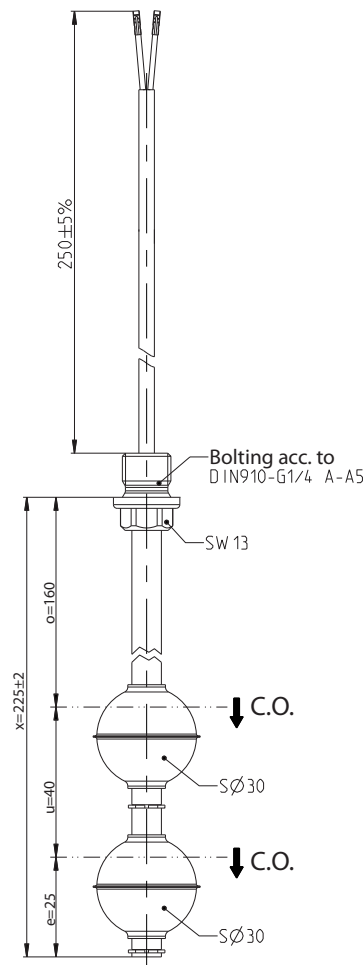
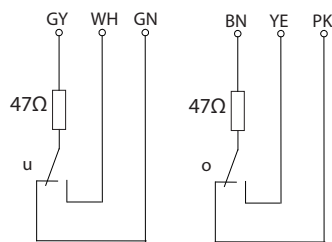
## Float switch

### Series Miniature-Float switch

Description **MSN1-NI-R1/4-2U 0225**

Article number **6895172006**

#### Wiring diagram (non-actuated state)



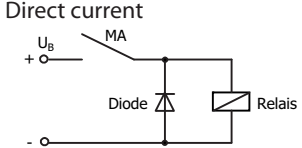
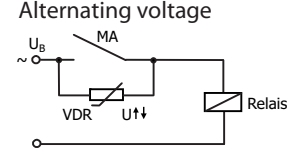
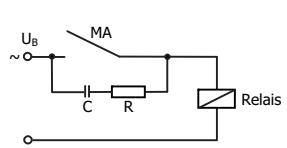
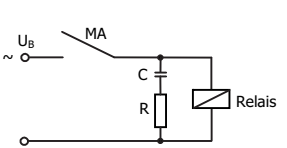
#### Electrical data

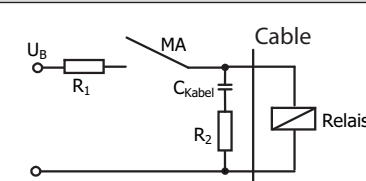
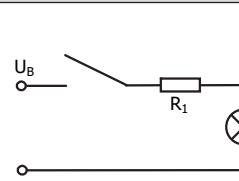
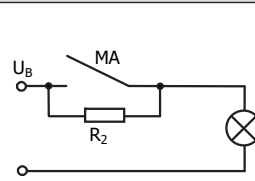
Rated operational voltage	$U_e$	24 V
Rated operational current	$I_e$	50 mA
Voltage drop	$U_d$	2,5 V
Rated insulation voltage	$U_i$	50 V AC
Rated impulse withstand voltage	$U_{imp}$	500 V AC
Overvoltage category		II
Switching element		2 C.O., falling level

Mechanical data	
Bolting material	X6CrNiMoTi17-12-2 (1.4571)
Switching tube material	X6CrNiMoTi17-12-2 (1.4571)
Float material	X6CrNiMoTi17-12-2 (1.4571)
- density	about 0,7 g/cm <sup>3</sup> ±10 %
- depth of immersion	18 mm ± 2 mm ( to a fluid-density of 1 g/cm <sup>3</sup> )
Grip screw material	X39CrMo17 (1.4122)
Ambient air temperature	-5 °C to +70 °C
Liquid temperature	-10 °C to +80 °C
Connection	Cable 6 x 0,25 mm <sup>2</sup> x 0,25 m ± 5 %, PVC
Protection type	IP 65 acc to IEC529 / EN 60529
Max. pressure	15 bar

Standards
DIN EN 60947-5-1

General details
The measures of the switching points refer to a fluid-density of 1 g/cm <sup>3</sup> . The tolerance of the switching points is ±2 mm Pay attention to the contact protection, when switching inductive or capacitive loads. Maximum data must not be exceeded!

Inductive loads
<div style="display: flex; justify-content: space-between;"> <div style="width: 24%;"> <p>Direct current</p>  <p>Suppression of voltage peaks with a free-wheeling diode</p> </div> <div style="width: 24%;"> <p>Alternating voltage</p>  <p>Suppression of voltage peaks with a VDR</p> </div> <div style="width: 24%;">  <p>Suppression of voltage peaks with an RC element</p> </div> <div style="width: 24%;">  </div> </div>

Capacitive loads and lamp loads
   <p>Contact protection with resistors for limiting current</p>