

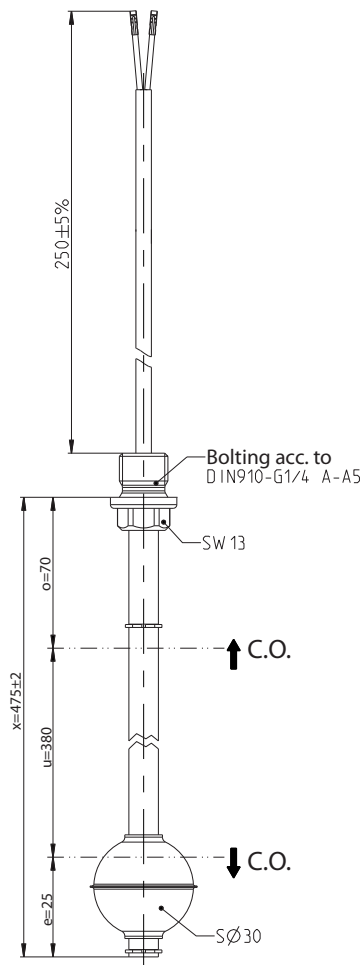
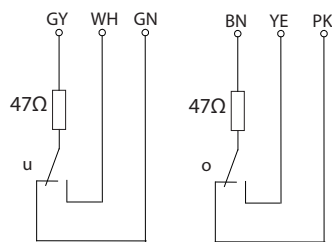
## Float switch

### Series Miniature-Float switch

Description **MSN1-NI-R1/4-2U 0475**

Article number **6895172004**

#### Wiring diagram (non-actuated state)



#### Electrical data

|                                 |           |   |
|---------------------------------|-----------|---|
| Rated operational voltage       | $U_e$     | 24 V  |
| Rated operational current       | $I_e$     | 50 mA   |
| Voltage drop                    | $U_d$     | 2,5 V   |
| Rated insulation voltage        | $U_i$     | 50 V AC                                       |
| Rated impulse withstand voltage | $U_{imp}$ | 500 V AC                                      |
| Overvoltage category            |           | II  |
| Switching element               |           | 1 C.O., rising level<br>1 C.O., falling level |

| Mechanical data         |  |
|-------------------------|--|
| Bolting material        | X6CrNiMoTi17-12-2 (1.4571)                                 |
| Switching tube material | X6CrNiMoTi17-12-2 (1.4571)                                 |
| Float material          | X6CrNiMoTi17-12-2 (1.4571)                                 |
| - density               | about 0,7 g/cm <sup>3</sup> ±10 %                          |
| - depth of immersion    | 18 mm ± 2 mm ( to a fluid-density of 1 g/cm <sup>3</sup> ) |
| Grip screw material     | X39CrMo17 (1.4122)   |
| Ambient air temperature | -5 °C to +70 °C  |
| Liquid temperature      | -10 °C to +80 °C   |
| Connection              | Cable 6 x 0,25 mm <sup>2</sup> x 0,25 m ± 5 %, PVC         |
| Protection type         | IP 65 acc to IEC529 / EN 60529                             |
| Max. pressure           | 15 bar   |

| Standards        |
|------------------|
| DIN EN 60947-5-1 |

| General details   |
|---|
| The measures of the switching points refer to a fluid-density of 1 g/cm <sup>3</sup> .<br>The tolerance of the switching points is ±2 mm<br>Pay attention to the contact protection, when switching inductive or capacitive loads. Maximum data must not be exceeded! |

| Inductive loads   |
|---|
| <div style="display: flex; justify-content: space-between;"> <div style="width: 24%;"> <p>Direct current</p> <p>Suppression of voltage peaks with a free-wheeling diode</p> </div> <div style="width: 24%;"> <p>Alternating voltage</p> <p>Suppression of voltage peaks with a VDR</p> </div> <div style="width: 24%;"> <p>Suppression of voltage peaks with an RC element</p> </div> <div style="width: 24%;"> </div> </div> |

| Capacitive loads and lamp loads                               |
|---|
| <p>Contact protection with resistors for limiting current</p> |