



Type: **MKS-PA-FL36-OS**

Art-No.: **689.1700.008**

Date: **25.05.1999/2072**

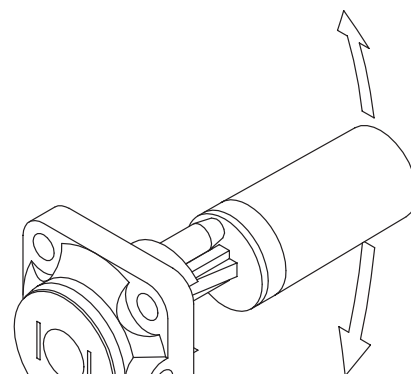
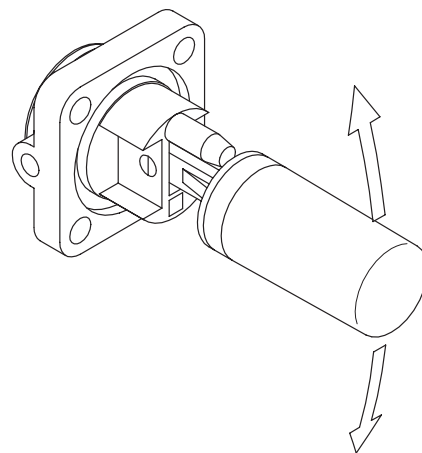
Technical Data (maximum data) :

- Max. Voltage : 250 V
- Max. Switch current : 0.5 A
- Max. Switching : 10 VA
- Direction category : AC-21A and DC-21A
acc. to DIN VDE 0660 T107,
IEC 947-3-1, EN 60947-3-1

Pay attention to the contact protection, when switching inductive loads. Maximum data must not be exceeded !

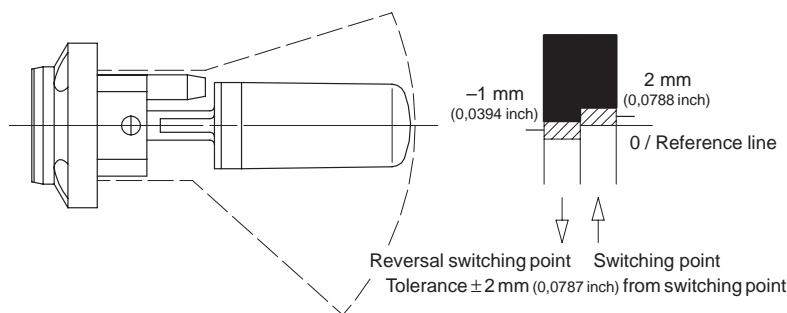
- Protection type : IP 65 acc. to DIN VDE 0470 T1,
IEC 529, EN 60529
- Switching function : 1 normally-open contact,
falling or rising level
The switching function can be
changed from N.O. to N.C. by turning
the switch up to 180°.
- Temperature range : form -5°C to +60°C
- mech. Lifetime : 10⁷ to 10⁹ switches depending
on the load

Reproducibility is ±0.05mm under same geometrical conditions according to one switch device.



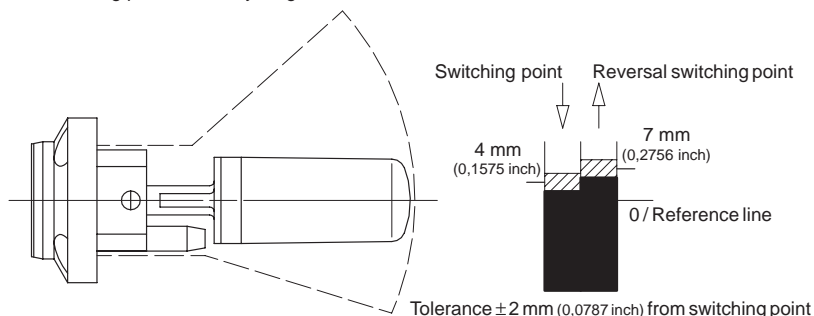
Normally-open contact, falling level

Switching point at density 1 kg/dm³



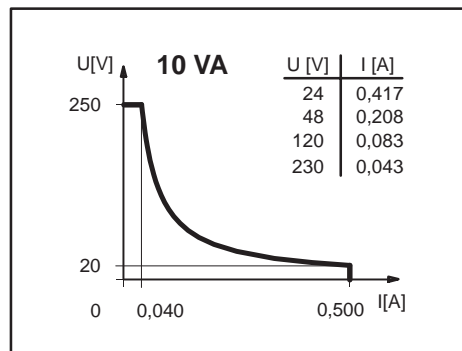
Normally-open contact, rising level

Switching point at density 1 kg/dm³



□ Contact open
 ■ Contact close

Performance diagram (maximum data)



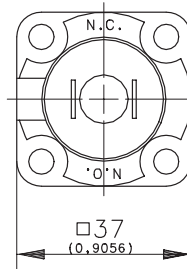
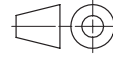
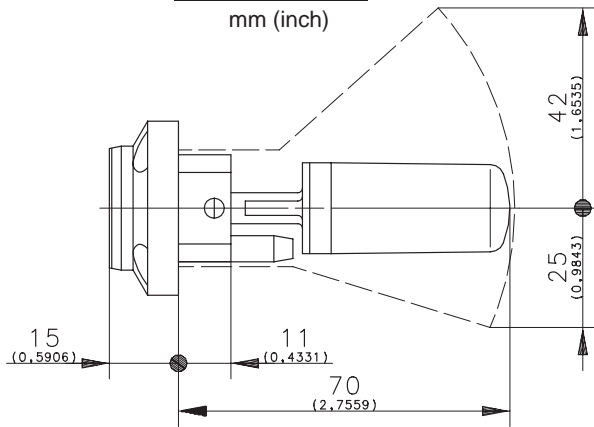


Type: **MSKS-PA-FL36-OS**

Art.-No.: **689.1700.008**

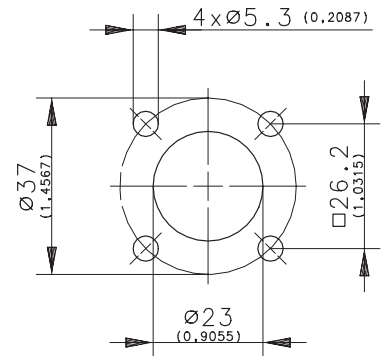
Date: **25.05.1999/2072**

Dimensions



Assembly dimensions

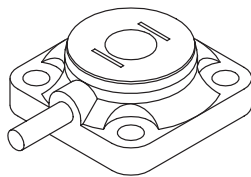
mm (inch)



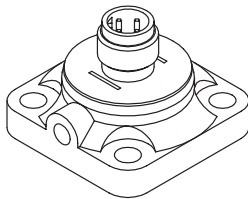
Mechanical Data :

- Housing material : PA12
- Float material : PA 12
- Standard : acc. to DIN VDE 0660 T200, IEC 947-5-1, EN 60947-5-1

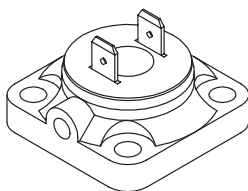
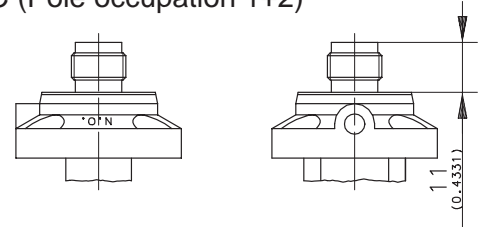
Termination type:



- Cable, PVC, 2x0,34mm²
- Art.-No.: 689.1700.002 – 3 meter
- Art.-No.: 689.1700.008 – 5 meter



- M12x1–Round connector 4pol. AC (Pole occupation 1+2)
- Art.-No.: 689.1700.006



- Contact plates (matching to AMP-Connectors)
- Art.-No.: 689.1700.009

