

Float switch

Series Miniature-Float switch

Description **MSK1-PP-PG7-S 0040**

Article number **6891414015**

Wiring diagram
(non-actuated state)

Delivery status

Performance diagram

U [V]	I [A]
24	0,417
48	0,208
120	0,083
230	0,043

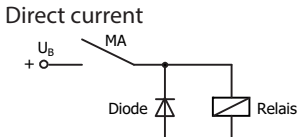
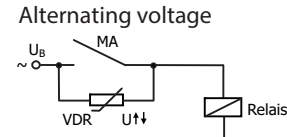
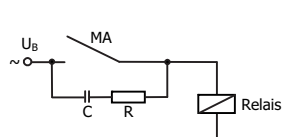
Characteristic features in accordance with EN 60947-5-1

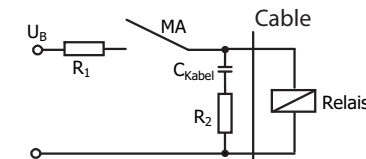
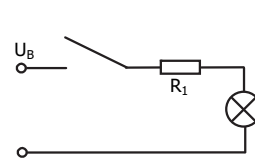
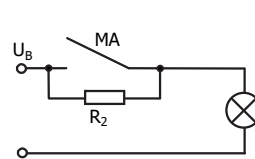
Electrical data	
max. switching voltage	250 V
max. switching current	0,5 A
max. switching capacity	10 VA
mechanical life	10 ⁷ to 10 ⁹ switches depending on the load
Switching element	1 N.O., falling level If the float be turned by 180 °, it will be change the switching function N.O. in N.C.
Protection class	II (totally insulated)

Mechanical data	
Box material	PP
Hexagon nut material	PP
Float material	PP
- density	about 0,55 g/cm ³ ±10 %
- depth of immersion	12 mm ± 2 mm (to a fluid-density of 1 g/cm ³)
Grip screw material	PP
Ambient air temperature	-5 °C to +60 °C
Liquid temperature	-5 °C to +60 °C
Connection	Cable 2 x 0,34 mm ² x 4,5 m ± 5 %, PVC
Protection type	IP 65 acc to IEC529 / EN 60529
Max. pressure	5 bar

EU Conformity
acc. to directive 2006/95/EC

General details
Repeatability of switching points is ±0,05 mm based on the same geometrical conditions as of a switch device. The measures of the switching points refer to a fluid-density of 1 g/cm ³ . The tolerance of the switching points is ±2 mm Pay attention to the contact protection, when switching inductive or capacitive loads. Maximum data must not be exceeded!

Inductive loads
<div style="display: flex; justify-content: space-around;"> <div style="text-align: center;"> <p>Direct current</p>  <p>Suppression of voltage peaks with a free-wheeling diode</p> </div> <div style="text-align: center;"> <p>Alternating voltage</p>  <p>Suppression of voltage peaks with a VDR</p> </div> <div style="text-align: center;">  <p>Suppression of voltage peaks with an RC element</p> </div> </div>

Capacitive loads and lamp loads
<div style="display: flex; justify-content: space-around;"> <div style="text-align: center;">  <p>Contact protection with resistors for limiting current</p> </div> <div style="text-align: center;">  </div> <div style="text-align: center;">  </div> </div>