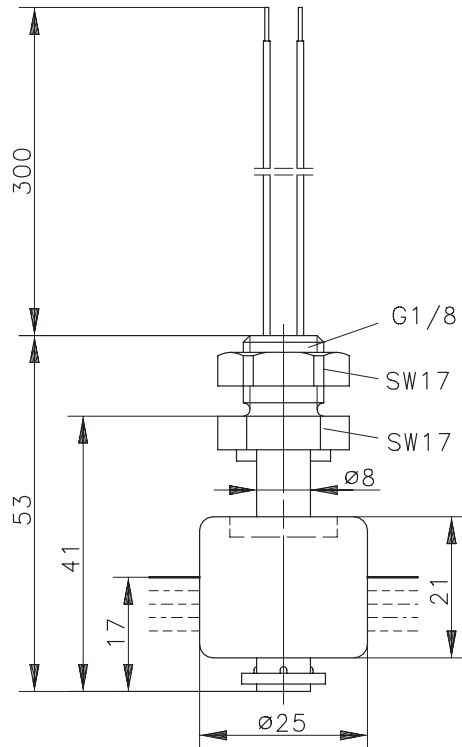
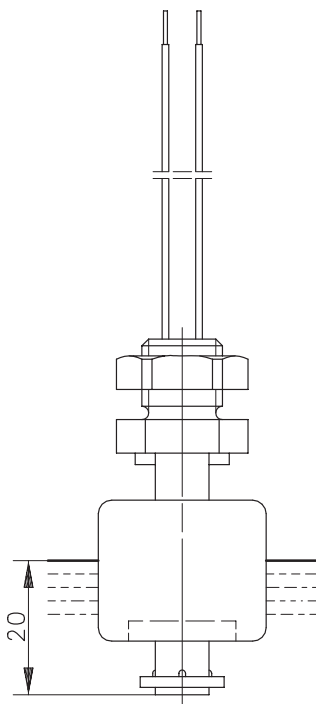
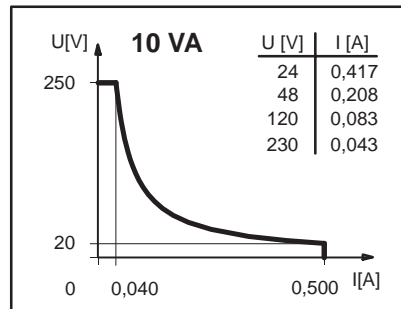
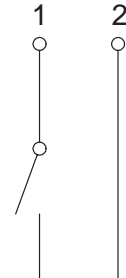


Type: **MSK1-PP-R1/8-S 0040**Art-No.: **689.1411.002**Date: **12.02.1999/0252****normally-open contact****normally-close contact****Switching diagramme**
(max. Value)**Wiring diagramme****Technical Data (max Value) :**

Max. Voltage : 250 V
 Max. Switch Current : 0.5 A
 Max. Switching : 10 VA
 Direction Category : AC-21A and DC-21A acc.
 DIN VDE 0660 T107
 IEC 947-3-1, EN 60947-3-1

Pay attention to the contact protection, when switching inductive loads.

Protection : IP 65 acc. to DIN VDE 0470 T1
 IEC 529, EN 60529

Output function : 1 normally-open contacts,
 falling level

The switch function (n.o./n.c.) can be changed by turning the float.

Temperature range : -5°C ... +100°C

mech. Lifetime : 10⁷ - 10⁹ switchings
 depends the load

Repeat Accuracy : ±0.05mm (only under same geometrical conditions)

Mechanical Data:

Terminal box : PP

Float : PP

Standard : acc. DIN VDE 0660 T200
 IEC 947-5-1, EN 60947-5-1