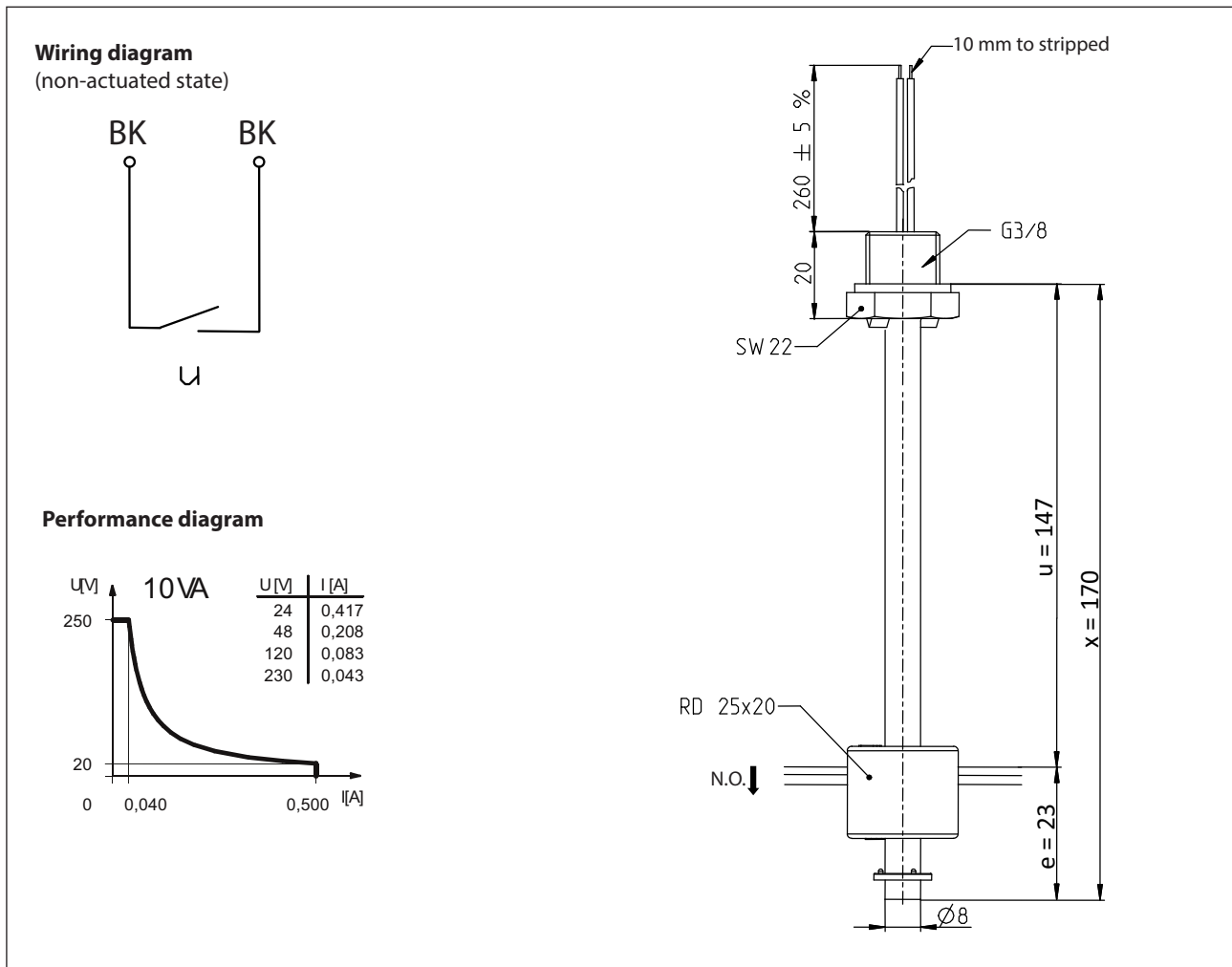


Float switch

Series Miniature-Float switch

Description **MSK2-PVC-R3/8 0170**

Article number **6891323061**



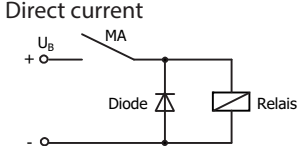
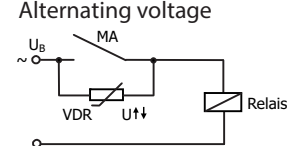
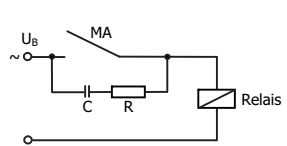
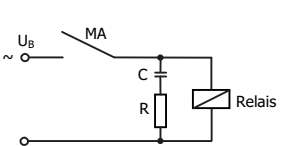
Characteristic features in accordance with EN 60947-5-1

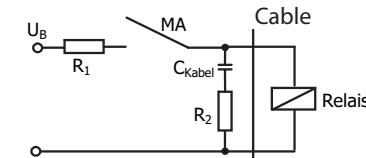
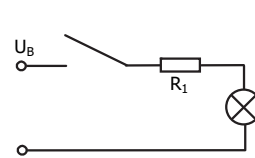
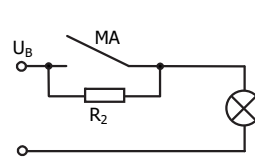
Electrical data	
max. switching voltage	250 V
max. switching current	0,5 A
max. switching capacity	10 VA
mechanical life	10 ⁷ to 10 ⁹ switches depending on the load
Switching element	1 N.O., falling level
Protection class	II (totally insulated)

Mechanical data	
Bolting material	PVC
Hexagonal nut material	PVC
Switching tube material	PVC
Float material	PVC
- density	about 0,7 g/cm ³ ±10 %
- depth of immersion	17 mm ± 2 mm (to a fluid-density of 1 g/cm ³)
Grip screw material	PVC
Ambient air temperature	-5 °C to +60 °C
Liquid temperature	-5 °C to +60 °C
Connection	wire 0,25 mm ² , PVC
Protection type	IP 65 acc to IEC529 / EN 60529
Max. pressure	5 bar

EU Conformity
acc. to directive 2006/95/EC

General details
Repeatability of switching points is ±0,05 mm based on the same geometrical conditions as of a switch device. The measures of the switching points refer to a fluid-density of 1 g/cm ³ . The tolerance of the switching points is ±2 mm Maximum data must not be exceeded! Pay attention to the contact protection, when switching inductive or capacitive loads.

Inductive loads
<div style="display: flex; justify-content: space-between;"> <div style="width: 24%;"> <p>Direct current</p>  <p>Suppression of voltage peaks with a free-wheeling diode</p> </div> <div style="width: 24%;"> <p>Alternating voltage</p>  <p>Suppression of voltage peaks with a VDR</p> </div> <div style="width: 24%;">  <p>Suppression of voltage peaks with an RC element</p> </div> <div style="width: 24%;">  </div> </div>

Capacitive loads and lamp loads
   <p>Contact protection with resistors for limiting current</p>