

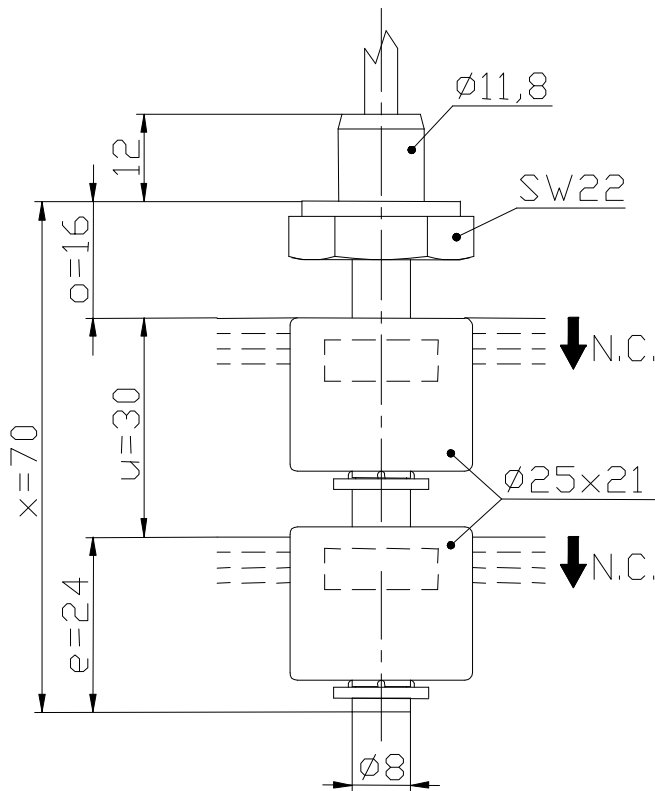
# Technical Data

## Float Switch

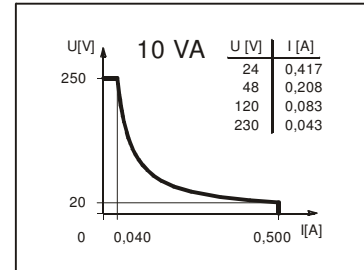
### Mini-level float switches

Description **MSK2-PVC-RD11,8-2O 0070**

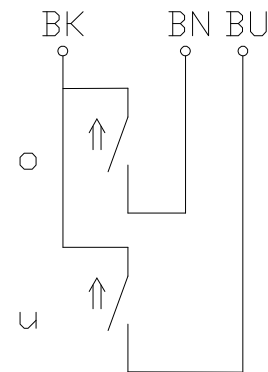
Article number **6891320006**



**Performance diagram**  
(maximum data)



**Wiring diagram**  
(without liquid)



#### Electrical data

Reed contact	max. switching voltage	250 V
	max. switching current	0,5 A
	max. switching capacity	10 VA
	mechanical life	10 <sup>7</sup> to 10 <sup>9</sup> switches depending on the load
Switching element	2 normally closed contact, falling level	
Direction category	AC-21A and DC-21A acc. to DIN VDE 0660 T107	
Standard	acc. to DIN VDE 0660 T200	

#### Mechanical data

Screw connection material	PVC
Switching tube material	PVC
Float material	PVC
-density	about 0,7 g/cm <sup>3</sup> ±10%
-depth of immersion	15 mm ±2 mm ( to a fluid-density of 1 g/cm <sup>3</sup> )
Grip screw material	PVC
Ambient air temperature	-5°C to +60°C
Liquid temperature	-5°C to +60°C
Connection	10m cable, PVC, 3x0,34mm <sup>2</sup>
Protection type	IP 65 acc. to DIN VDE 0470 T1
Max. pressure	5 bar

#### General details

Repeatability of switching points is ±0,05mm based on the same geometrical conditions as of a switch device.  
 The measures of the switching points refer to a fluid-density of 1 g/cm<sup>3</sup>.  
 The tolerance of the switching points is ±2mm  
 Pay attention to the contact protection, when switching inductive loads. Maximum data must not be exceeded!

Subject to change without notice.