

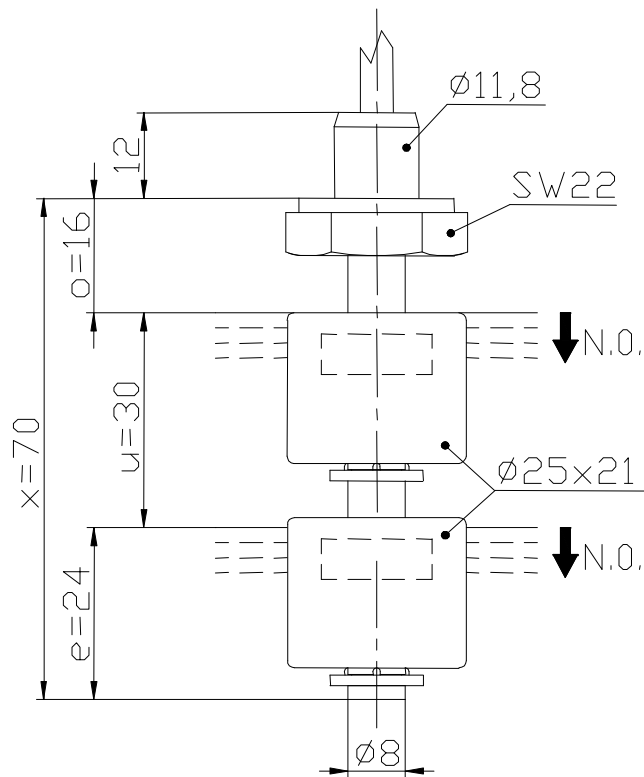
Technical Data

Float Switch

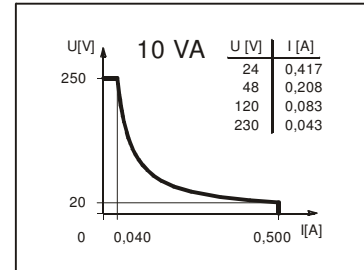
Mini-level float switches

Description **MSK2-PVC-RD11,8-2S 0070**

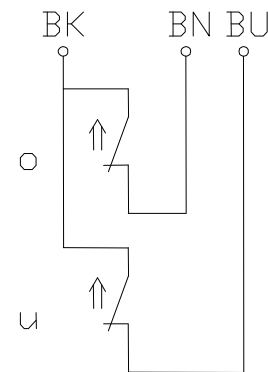
Article number **6891320005**



Performance diagram (maximum data)



Wiring diagram (without liquid)



Electrical data

Reed contact	max. switching voltage	250 V
	max. switching current	0,5 A
	max. switching capacity	10 VA
	mechanical life	10^7 to 10^9 switches depending on the load
Switching element	2 normally open contact, falling level	
Direction category	AC-21A and DC-21A acc. to DIN VDE 0660 T107	
Standard	acc. to DIN VDE 0660 T200	

Mechanical data

Screw connection material	PVC
Switching tube material	PVC
Float material	PVC
-density	about $0,7 \text{ g/cm}^3 \pm 10\%$
-depth of immersion	$15 \text{ mm} \pm 2 \text{ mm}$ (to a fluid-density of 1 g/cm^3)
Grip screw material	PVC
Ambient air temperature	-5°C to $+60^\circ\text{C}$
Liquid temperature	-5°C to $+60^\circ\text{C}$
Connection	2,5m cable, PVC, $3 \times 0,34 \text{ mm}^2$
Protection type	IP 65 acc. to DIN VDE 0470 T1
Max. pressure	5 bar

General details

Repeatability of switching points is $\pm 0,05 \text{ mm}$ based on the same geometrical conditions as of a switch device.
 The measures of the switching points refer to a fluid-density of 1 g/cm^3 .
 The tolerance of the switching points is $\pm 2 \text{ mm}$
 Pay attention to the contact protection, when switching inductive loads. Maximum data must not be exceeded!

Subject to change without notice.