

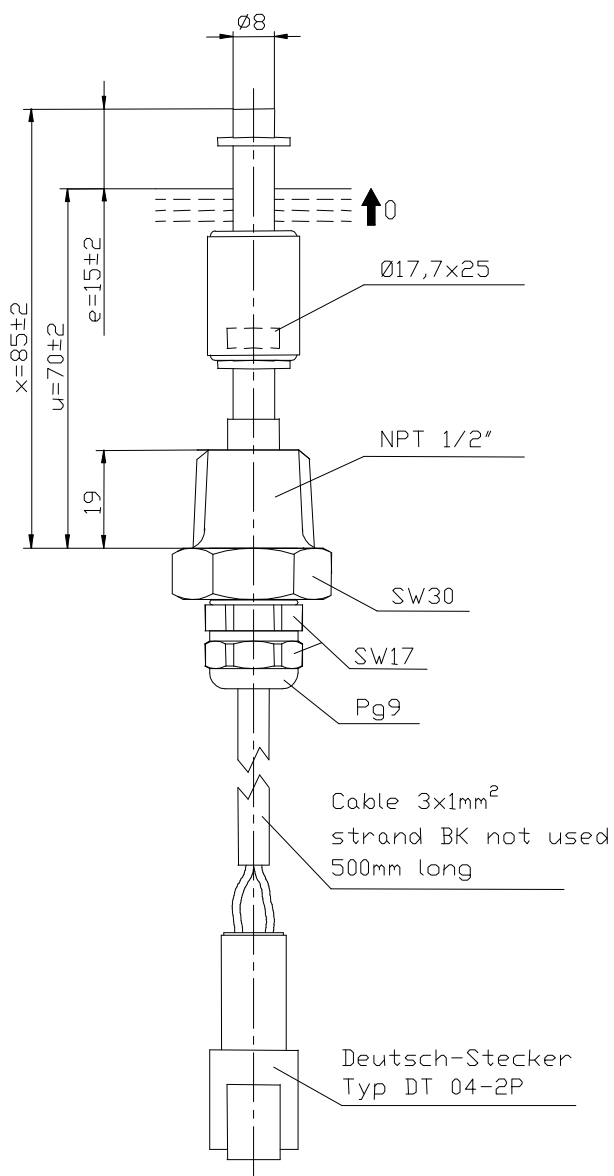
# Technical Data

## Float Switch

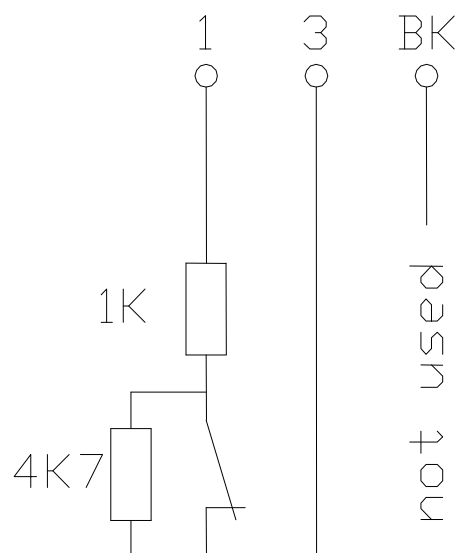
### Standard float switches

Description **MSK6-MS-NPT1/2ST-O**

Article number **6891260009**



### Wiring diagram (without liquid)



Subject to change without notice.

Date of issue : 27.02.2009 / Page 1 of 1  
Document : 6891260009\_01\_en.doc / Last update : 1

### Standard float switches

Description **MSK6-MS-NPT1/2ST-O** Article number **6891260009**

#### Electrical data

max. switching capacity	0,25W
mechanical life	10 <sup>7</sup> to 10 <sup>9</sup> switches depending on the load
Switching element	1 normally closed contact, rising level
Direction category	AC-22A and DC-22A acc. to DIN VDE 0660 T107
Standard	acc. to DIN VDE 0660 T200

#### Mechanical data

Screw connection material	CuZn39Pb3 (2.0401)
Switching tube material	CuZn37 (2.0321)
Float material	NBR
-density	about 0,5 g/cm <sup>3</sup> ±10%
-depth of immersion	18 mm ±2 mm ( to a fluid-density of 1 g/cm <sup>3</sup> )
Grip Screw Material	CuSn8 (2.0321)
Ambient air temperature	-20°C to +80°C
Liquid temperature	-20°C to +80°C
Connection	Deutsch+Stecker DT 04-2P Cable 3x1mm <sup>2</sup> 0,5m, Ölflex FD-Natur
Protection type	IP 65 acc. to DIN VDE 0470 T1
Max. pressure	5 bar

#### General details

Repeatability of switching points is ±0,05mm based on the same geometrical conditions as of a switch device.  
The measures of the switching points refer to a fluid-density of 1 g/cm<sup>3</sup>.  
The tolerance of the switching points is ±2mm  
Pay attention to the contact protection, when switching inductive loads. Maximum data must not be exceeded!